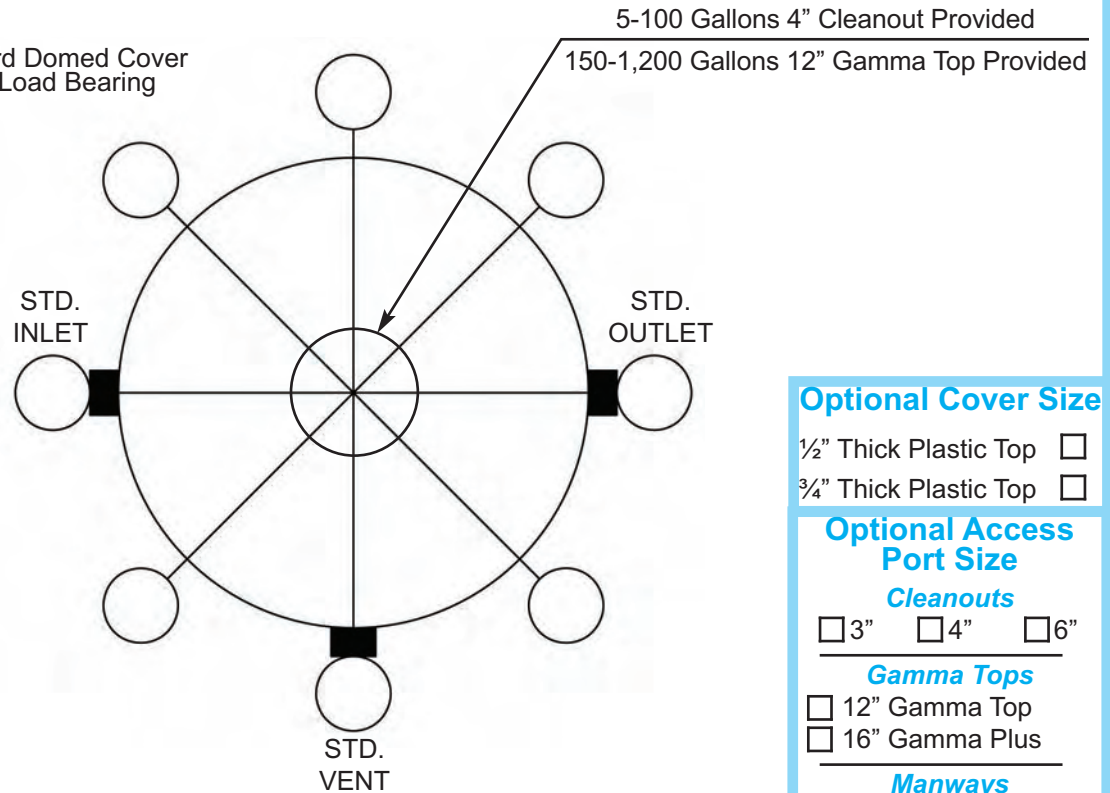
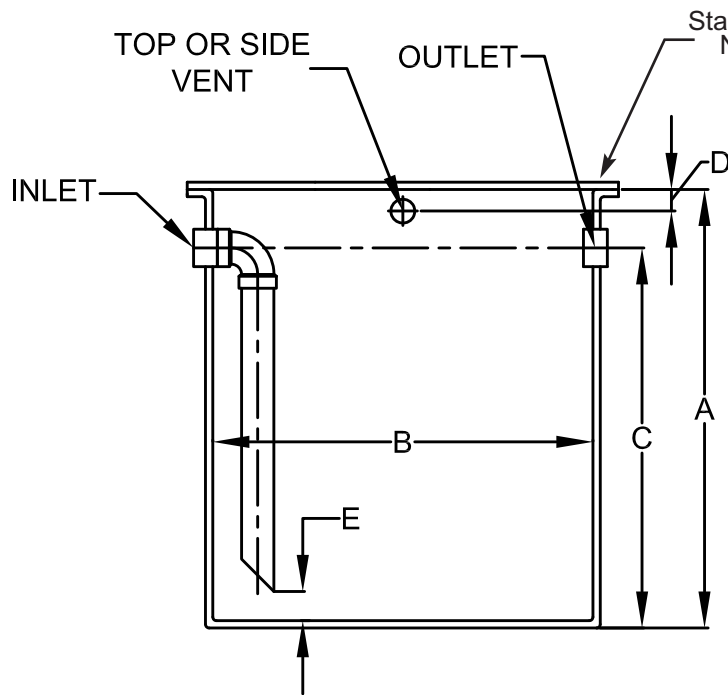


P.O.No. \_\_\_\_\_  
 No. of Tanks \_\_\_\_\_  
 Tank Size \_\_\_\_\_ Gallons

Tanks are of seamless construction  
 manufactured from rotationally molded  
 virgin polyethylene / polypropylene resin.



### Optional Cover Size

- 1/2" Thick Plastic Top
- 3/4" Thick Plastic Top

### Optional Access Port Size

#### Cleanouts

- 3"     4"     6"

#### Gamma Tops

- 12" Gamma Top
- 16" Gamma Plus

#### Manways

- 20" x 1/2"     20" x 3/4"
- 24" x 1/2"     24" x 3/4"

### Standard Connections

### Connection Size

	I	O	V	
Plain End	<input type="checkbox"/>	<input type="checkbox"/>	<input type="checkbox"/>	Inlet _____
Female	<input type="checkbox"/>	<input type="checkbox"/>	<input type="checkbox"/>	Outlet _____
Male	<input type="checkbox"/>	<input type="checkbox"/>	<input type="checkbox"/>	Vent _____
Flanged	<input type="checkbox"/>	<input type="checkbox"/>	<input type="checkbox"/>	<b>Vent Location</b>
	<input type="checkbox"/>	<input type="checkbox"/>	<input type="checkbox"/>	<input type="checkbox"/> TOP <input type="checkbox"/> SIDE

Tank Data Sheet — Must accompany all tank orders

### Indicate Dimensions Needed

A	B	C	D	E

**Job Name:** \_\_\_\_\_

Company: \_\_\_\_\_

Date: \_\_\_\_\_

P.O.No. \_\_\_\_\_  
 No. of Tanks \_\_\_\_\_  
 Tank Size \_\_\_\_\_ Gallons

Tanks are of seamless construction  
 manufactured from rotationally molded  
 virgin polyethylene / polypropylene resin.

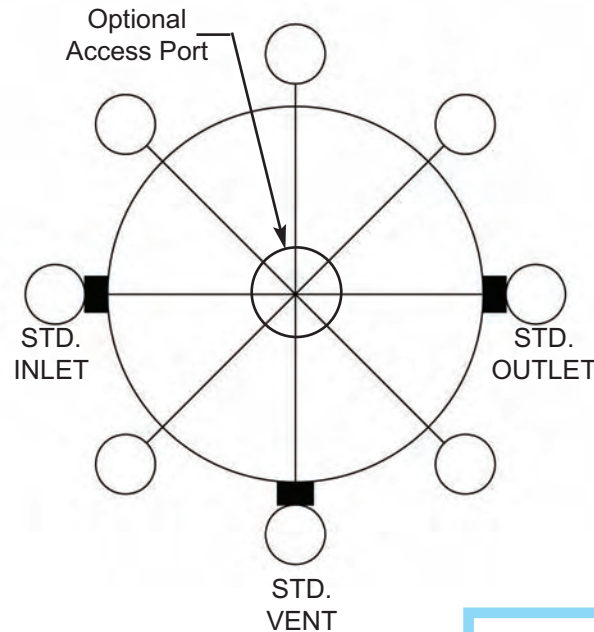
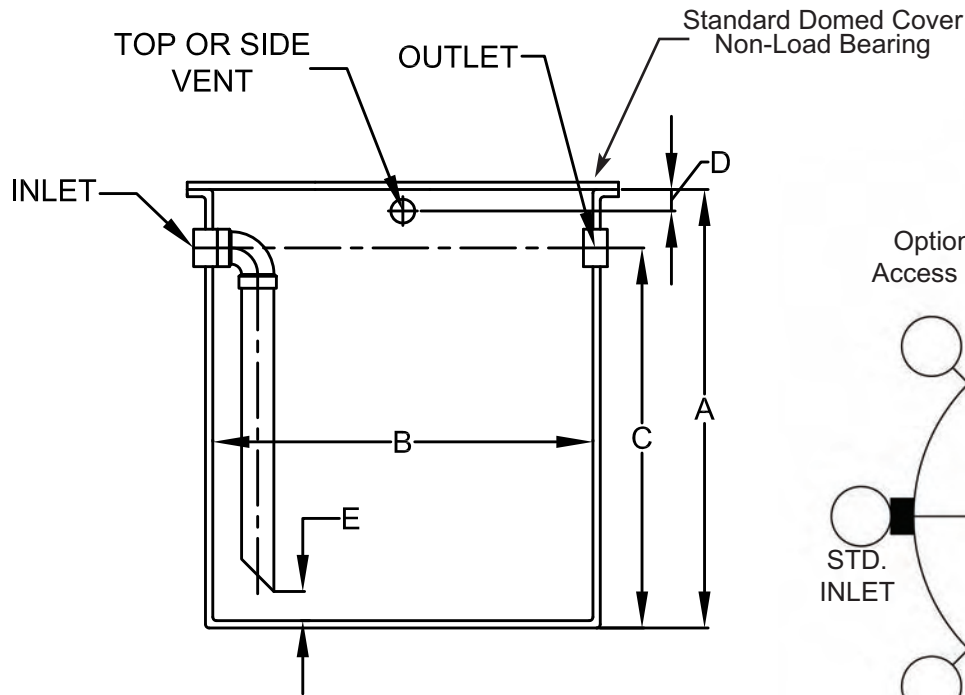
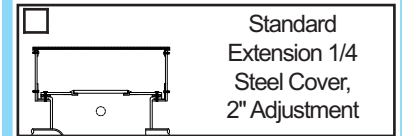
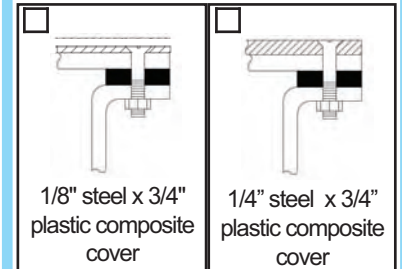
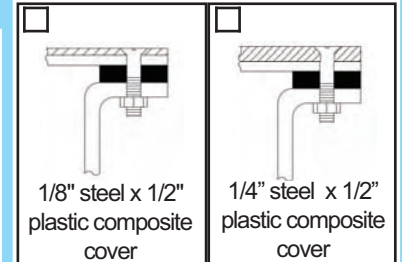
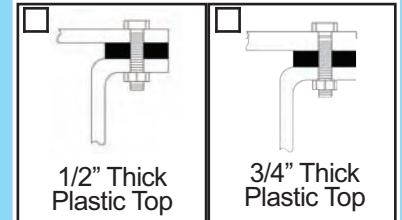
### Optional Access Port Size

**Cleanouts**  
 3"  4"  6"

**Gamma Tops**  
 12" Gamma Top  
 16" Gamma Plus

**Manways**  
 20" x 1/2"  20" x 3/4"  
 24" x 1/2"  24" x 3/4"

### Optional Load Bearing Covers



Tank Data Sheet — Must accompany all tank orders

### Indicate Dimensions Needed

A	B	C	D	E

### Standard Connections

	I	O	V
Plain End	<input type="checkbox"/>	<input type="checkbox"/>	<input type="checkbox"/>
Female	<input type="checkbox"/>	<input type="checkbox"/>	<input type="checkbox"/>
Male	<input type="checkbox"/>	<input type="checkbox"/>	<input type="checkbox"/>
Flanged	<input type="checkbox"/>	<input type="checkbox"/>	<input type="checkbox"/>

### Connection Size

Inlet \_\_\_\_\_  
 Outlet \_\_\_\_\_  
 Vent \_\_\_\_\_

### Vent Location

TOP  SIDE

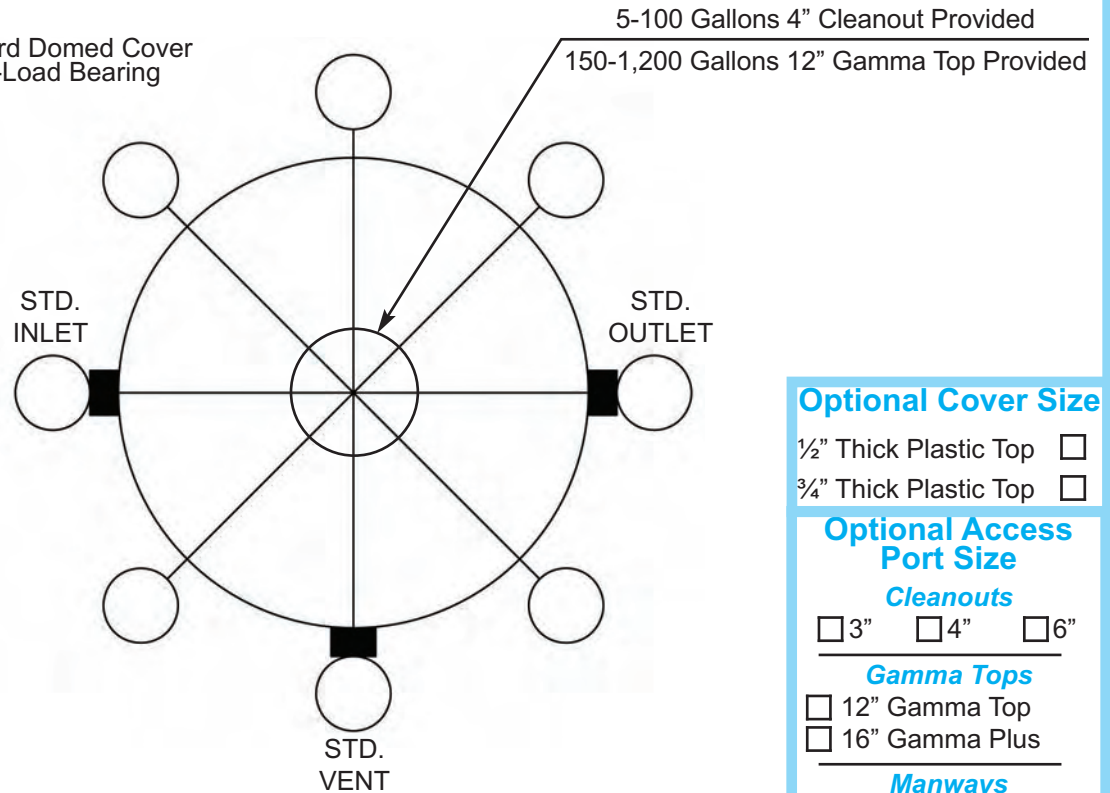
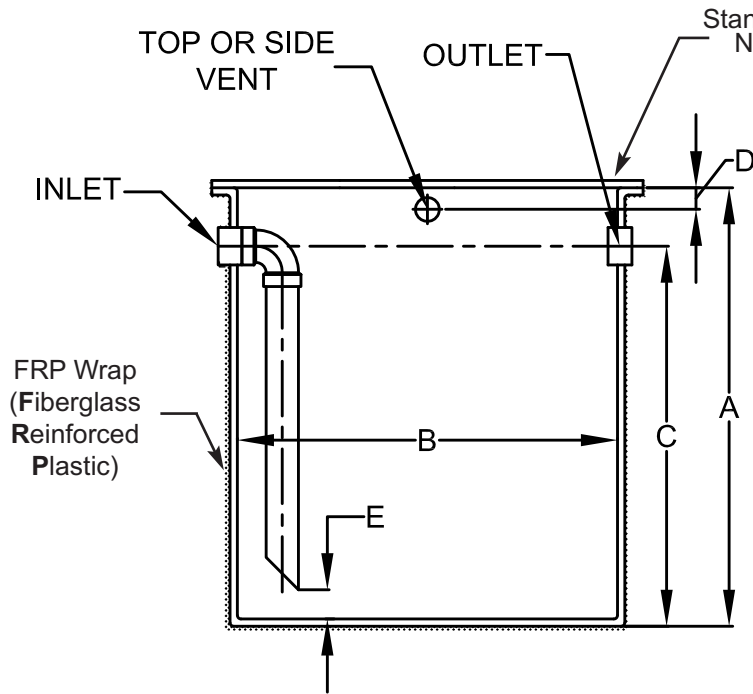
### Job Name:

Company: \_\_\_\_\_

Date: \_\_\_\_\_

P.O.No. \_\_\_\_\_  
 No. of Tanks \_\_\_\_\_  
 Tank Size \_\_\_\_\_ Gallons

Tanks are of seamless construction  
 manufactured from rotationally molded  
 virgin polyethylene / polypropylene resin.



### Optional Cover Size

- 1/2" Thick Plastic Top
- 3/4" Thick Plastic Top

### Optional Access Port Size

#### Cleanouts

- 3"     4"     6"

#### Gamma Tops

- 12" Gamma Top
- 16" Gamma Plus

#### Manways

- 20" x 1/2"     20" x 3/4"
- 24" x 1/2"     24" x 3/4"

### Standard Connections

### Connection Size

	I	O	V	
Plain End	<input type="checkbox"/>	<input type="checkbox"/>	<input type="checkbox"/>	Inlet _____
Female	<input type="checkbox"/>	<input type="checkbox"/>	<input type="checkbox"/>	Outlet _____
Male	<input type="checkbox"/>	<input type="checkbox"/>	<input type="checkbox"/>	Vent _____
Flanged	<input type="checkbox"/>	<input type="checkbox"/>	<input type="checkbox"/>	<b>Vent Location</b>
	<input type="checkbox"/>	<input type="checkbox"/>	<input type="checkbox"/>	<input type="checkbox"/> TOP <input type="checkbox"/> SIDE

Tank Data Sheet — Must accompany all tank orders

### Indicate Dimensions Needed

A	B	C	D	E

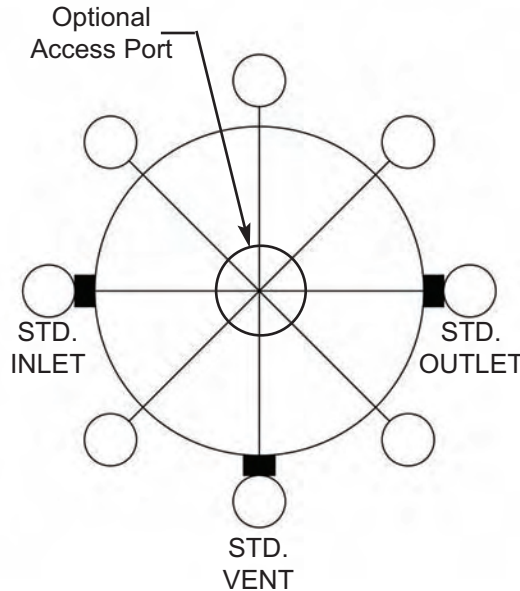
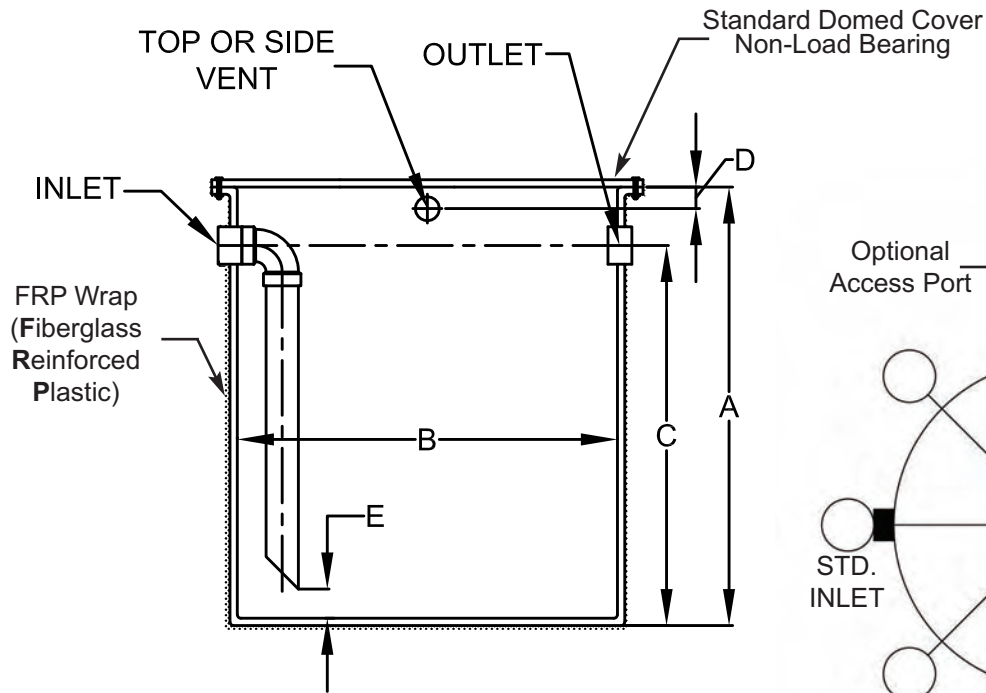
**Job Name:** \_\_\_\_\_

Company: \_\_\_\_\_

Date: \_\_\_\_\_

P.O.No. \_\_\_\_\_  
 No. of Tanks \_\_\_\_\_  
 Tank Size \_\_\_\_\_ Gallons

Tanks are of seamless construction  
 manufactured from rotationally molded  
 virgin polyethylene / polypropylene resin.



### Optional Access Port Size

#### Cleanouts

3"  4"  6"

#### Gamma Tops

12" Gamma Top  
 16" Gamma Plus

#### Manways

20" x 1/2"  20" x 3/4"  
 24" x 1/2"  24" x 3/4"

### Optional Load Bearing Covers

<input type="checkbox"/>		<input type="checkbox"/>	
	1/2" Thick Plastic Top		3/4" Thick Plastic Top
<input type="checkbox"/>		<input type="checkbox"/>	
	1/8" steel x 1/2" plastic composite cover		1/4" steel x 1/2" plastic composite cover
<input type="checkbox"/>		<input type="checkbox"/>	
	1/8" steel x 3/4" plastic composite cover		1/4" steel x 3/4" plastic composite cover
<input type="checkbox"/>			
	Standard Extension 1/4 Steel Cover, 2" Adjustment		

### Standard Connections

### Connection Size

	I	O	V	
Plain End	<input type="checkbox"/>	<input type="checkbox"/>	<input type="checkbox"/>	Inlet _____
Female	<input type="checkbox"/>	<input type="checkbox"/>	<input type="checkbox"/>	Outlet _____
Male	<input type="checkbox"/>	<input type="checkbox"/>	<input type="checkbox"/>	Vent _____
Flanged	<input type="checkbox"/>	<input type="checkbox"/>	<input type="checkbox"/>	

### Vent Location

TOP  SIDE

Tank Data Sheet — Must accompany all tank orders

### Indicate Dimensions Needed

A	B	C	D	E

**Job Name:** \_\_\_\_\_

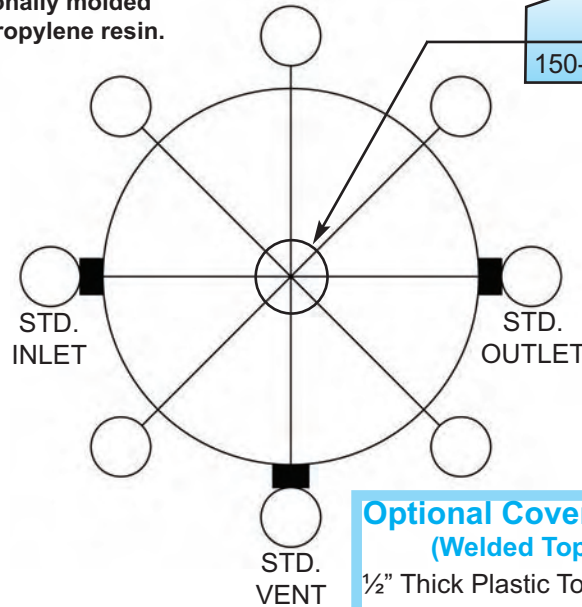
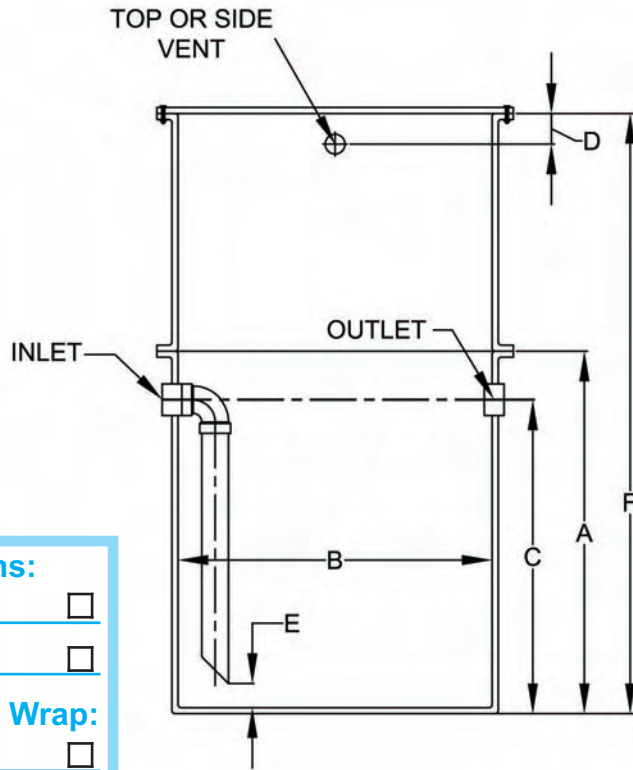
Company: \_\_\_\_\_

Date: \_\_\_\_\_

P.O.No. \_\_\_\_\_  
 No. of Tanks \_\_\_\_\_  
 Tank Size \_\_\_\_\_ Gallons

Tanks are of seamless construction  
 manufactured from rotationally molded  
 virgin polyethylene / polypropylene resin.

**Style 4 (Welded Top)**  
 5-100 Gallons 4" Cleanout Provided  
 150-1,200 Gallons 12" Gamma Top Provided



### Style 5 (Bolted Top) Optional Load Bearing Covers

<input type="checkbox"/>		<input type="checkbox"/>	
	1/2" Thick Plastic Top		3/4" Thick Plastic Top
<input type="checkbox"/>		<input type="checkbox"/>	
	1/8" steel x 1/2" plastic composite cover		1/4" steel x 1/2" plastic composite cover
<input type="checkbox"/>		<input type="checkbox"/>	
	1/8" steel x 3/4" plastic composite cover		1/4" steel x 3/4" plastic composite cover

### Top Options:

Welded Top

Bolted Top

### Fiberglass Wrap:

FRP

### Optional Cover Size (Welded Top)

1/2" Thick Plastic Top

3/4" Thick Plastic Top

### Optional Access Port Size

#### Cleanouts

3"  4"  6"

#### Gamma Tops

12" Gamma Top

16" Gamma Plus

#### Manways

20" x 1/2"  20" x 3/4"

24" x 1/2"  24" x 3/4"

### Standard Connections

	I	O	V
Plain End	<input type="checkbox"/>	<input type="checkbox"/>	<input type="checkbox"/>
Female	<input type="checkbox"/>	<input type="checkbox"/>	<input type="checkbox"/>
Male	<input type="checkbox"/>	<input type="checkbox"/>	<input type="checkbox"/>
Flanged	<input type="checkbox"/>	<input type="checkbox"/>	<input type="checkbox"/>

### Connection Size

Inlet \_\_\_\_\_  
 Outlet \_\_\_\_\_  
 Vent \_\_\_\_\_

### Vent Location

TOP  SIDE

Tank Data Sheet — Must  
 accompany all tank orders

### Indicate Dimensions Needed

A	B	C	D	E

### Job Name:

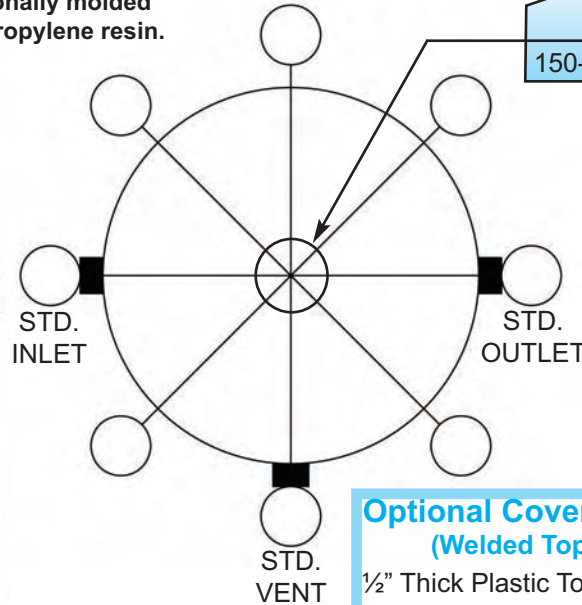
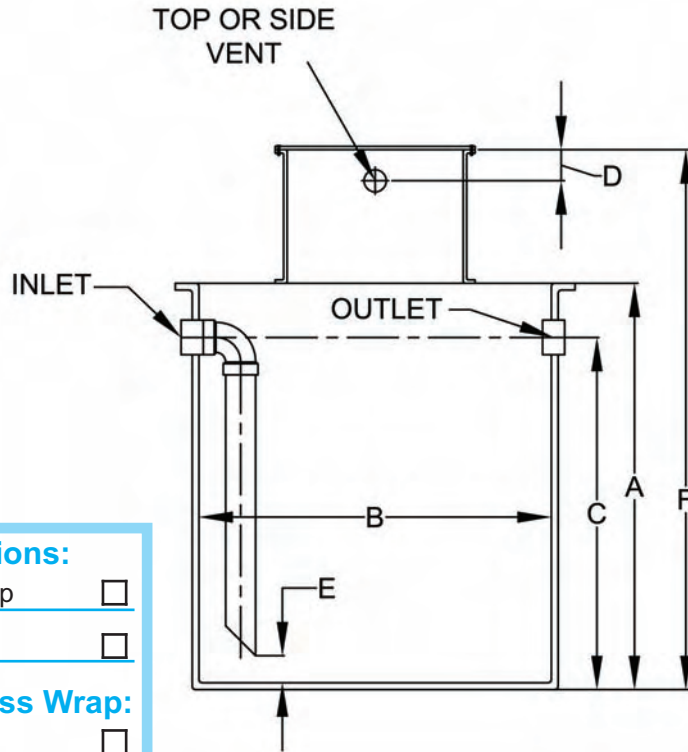
Company: \_\_\_\_\_

Date: \_\_\_\_\_

P.O.No. \_\_\_\_\_  
 No. of Tanks \_\_\_\_\_  
 Tank Size \_\_\_\_\_ Gallons

Tanks are of seamless construction  
 manufactured from rotationally molded  
 virgin polyethylene / polypropylene resin.

**Style 4 (Welded Top)**  
 5-100 Gallons 4" Cleanout Provided  
 150-1,200 Gallons 12" Gamma Top Provided



### Top Options:

Welded Top

Bolted Top

### Fiberglass Wrap:

FRP

### Standard Connections

	I	O	V
Plain End	<input type="checkbox"/>	<input type="checkbox"/>	<input type="checkbox"/>
Female	<input type="checkbox"/>	<input type="checkbox"/>	<input type="checkbox"/>
Male	<input type="checkbox"/>	<input type="checkbox"/>	<input type="checkbox"/>
Flanged	<input type="checkbox"/>	<input type="checkbox"/>	<input type="checkbox"/>

### Connection Size

Inlet \_\_\_\_\_  
 Outlet \_\_\_\_\_  
 Vent \_\_\_\_\_

### Vent Location

TOP |  SIDE

Tank Data Sheet — Must  
 accompany all tank orders

### Indicate Dimensions Needed

A	B	C	D	E

### Optional Cover Size (Welded Top)

1/2" Thick Plastic Top

3/4" Thick Plastic Top

### Optional Access Port Size

Cleanouts  
 3"  4"  6"

### Gamma Tops

12" Gamma Top

16" Gamma Plus

### Manways

20" x 1/2"  20" x 3/4"

24" x 1/2"  24" x 3/4"

### Style 5 (Bolted Top) Optional Load Bearing Covers

<input type="checkbox"/>		<input type="checkbox"/>	
	1/2" Thick Plastic Top		3/4" Thick Plastic Top
<input type="checkbox"/>		<input type="checkbox"/>	
	1/8" steel x 1/2" plastic composite cover		1/4" steel x 1/2" plastic composite cover
<input type="checkbox"/>		<input type="checkbox"/>	
	1/8" steel x 3/4" plastic composite cover		1/4" steel x 3/4" plastic composite cover

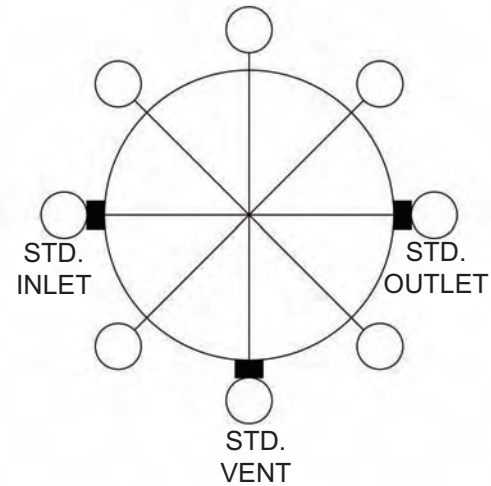
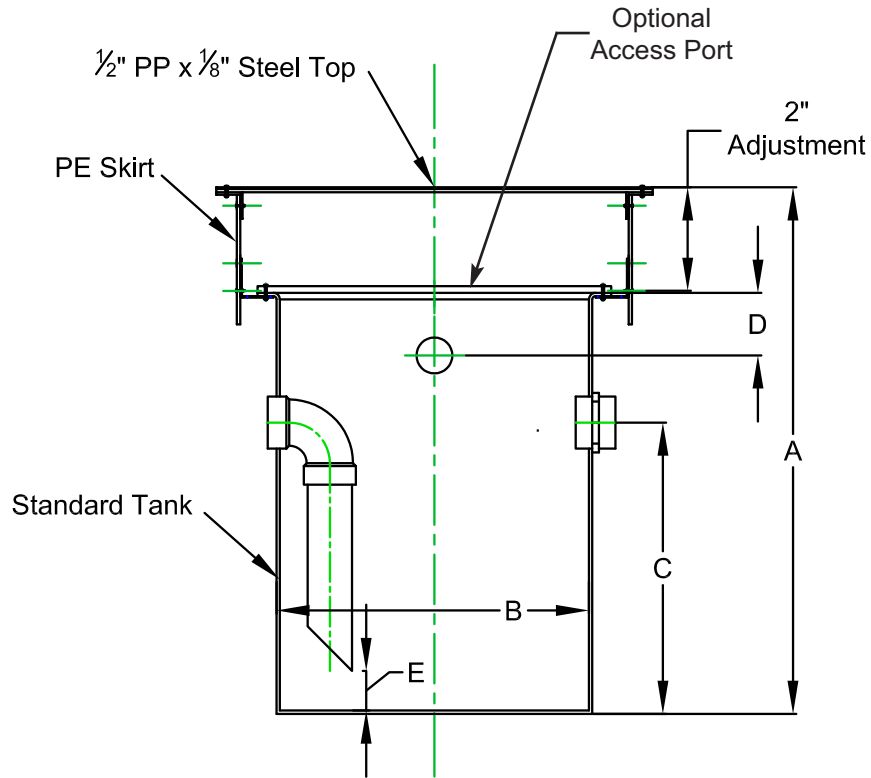
### Job Name:

Company: \_\_\_\_\_

Date: \_\_\_\_\_

P.O.No. \_\_\_\_\_  
 No. of Tanks \_\_\_\_\_  
 Tank Size \_\_\_\_\_ Gallons

Tanks are of seamless construction  
 manufactured from rotationally molded  
 virgin polyethylene / polypropylene resin.



### Optional Access Port Size (Tank)

#### Cleanouts

3"    4"    6"

#### Gamma Tops

12" Gamma Top  
 16" Gamma Plus

#### Manways

20" x 1/2"    20" x 3/4"  
 24" x 1/2"    24" x 3/4"

### Standard Connections

	I	O	V
Plain End	<input type="checkbox"/>	<input type="checkbox"/>	<input type="checkbox"/>
Female	<input type="checkbox"/>	<input type="checkbox"/>	<input type="checkbox"/>
Male	<input type="checkbox"/>	<input type="checkbox"/>	<input type="checkbox"/>
Flanged	<input type="checkbox"/>	<input type="checkbox"/>	<input type="checkbox"/>

### Connection Size

Inlet \_\_\_\_\_  
 Outlet \_\_\_\_\_  
 Vent \_\_\_\_\_

### Vent Location

TOP    SIDE

Tank Data Sheet — Must accompany all tank orders

### Indicate Dimensions Needed

A	B	C	D	E

**Job Name:** \_\_\_\_\_

Company: \_\_\_\_\_

Date: \_\_\_\_\_

P.O.No. \_\_\_\_\_  
 No. of Tanks \_\_\_\_\_  
 Tank Size \_\_\_\_\_ Gallons

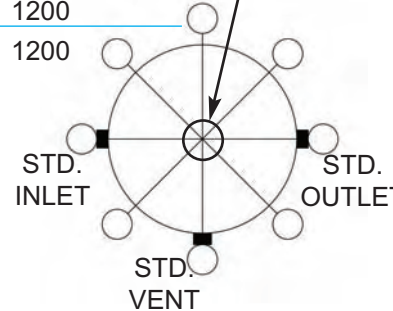
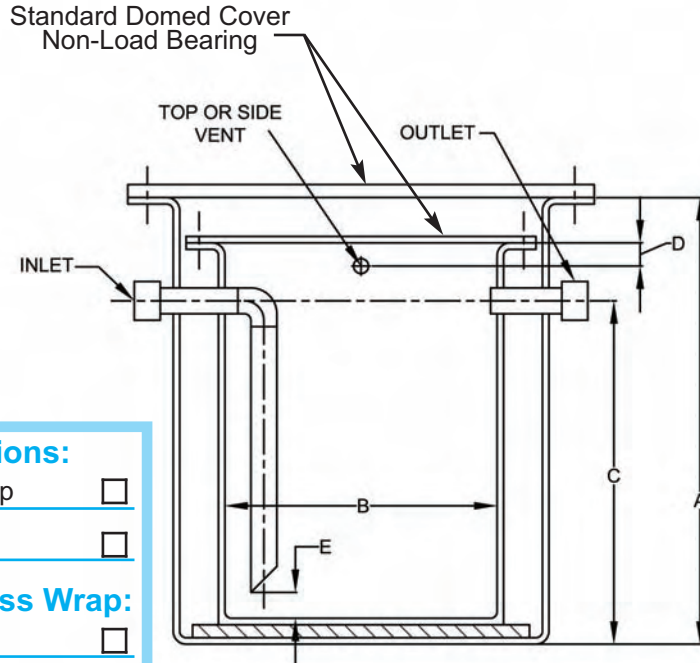
### Tank Sizes In Gallons Carrier / Containment

5 / 30
15 / 55
30 / 55
55 / 150
100 / 200
150 / 200

### Tank Sizes In Gallons Carrier / Containment

180 / 360
200 / 500
275 / 600
360 / 1200
500 / 1200
600 / 1200

Tanks are of seamless construction  
 manufactured from rotationally molded  
 virgin polyethylene / polypropylene resin.



**Style 4 (Welded Top)**  
 5-100 Gallons 4" Cleanout Provided  
 150-1,200 Gallons 12" Gamma Top Provided

### Style 5 (Bolted Top) Optional Load Bearing Covers Containment Tank Only

<input type="checkbox"/>		<input type="checkbox"/>	
	1/2" Thick Plastic Top		3/4" Thick Plastic Top
<input type="checkbox"/>		<input type="checkbox"/>	
	1/8" steel x 1/2" plastic composite cover		1/4" steel x 1/2" plastic composite cover
<input type="checkbox"/>		<input type="checkbox"/>	
	1/8" steel x 3/4" plastic composite cover		1/4" steel x 3/4" plastic composite cover

### Top Options:

Welded Top

Bolted Top

### Fiberglass Wrap:

FRP

### Optional Cover Size (Welded Top Carrier Tank)

1/2" Thick Plastic Top   
 3/4" Thick Plastic Top

### Optional Cover Size (Welded Top Cont. Tank)

1/2" Thick Plastic Top   
 3/4" Thick Plastic Top

### Optional Access Port Size (Carrier Tank)

**Cleanouts**  
 3"  4"  6"

**Gamma Tops**  
 12" Gamma Top  
 16" Gamma Plus

**Manways**  
 20" x 1/2"  20" x 3/4"  
 24" x 1/2"  24" x 3/4"

### Optional Access Port Size (Cont. Tank)

**Cleanouts**  
 3"  4"  6"

**Gamma Tops**  
 12" Gamma Top  
 16" Gamma Plus

**Manways**  
 20" x 1/2"  20" x 3/4"  
 24" x 1/2"  24" x 3/4"

### Standard Connections

	I	O	V
Plain End	<input type="checkbox"/>	<input type="checkbox"/>	<input type="checkbox"/>
Female	<input type="checkbox"/>	<input type="checkbox"/>	<input type="checkbox"/>
Male	<input type="checkbox"/>	<input type="checkbox"/>	<input type="checkbox"/>
Flanged	<input type="checkbox"/>	<input type="checkbox"/>	<input type="checkbox"/>

### Connection Size

Inlet \_\_\_\_\_  
 Outlet \_\_\_\_\_  
 Vent \_\_\_\_\_

### Vent Location

TOP  SIDE

Tank Data Sheet — Must accompany all tank orders

### Indicate Dimensions Needed

A	B	C	D	E

**Job Name:** \_\_\_\_\_

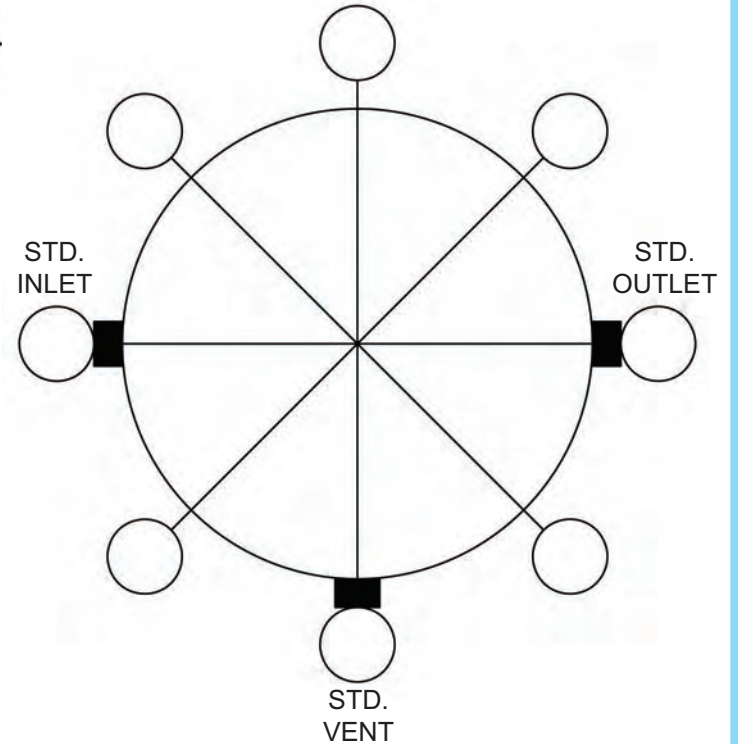
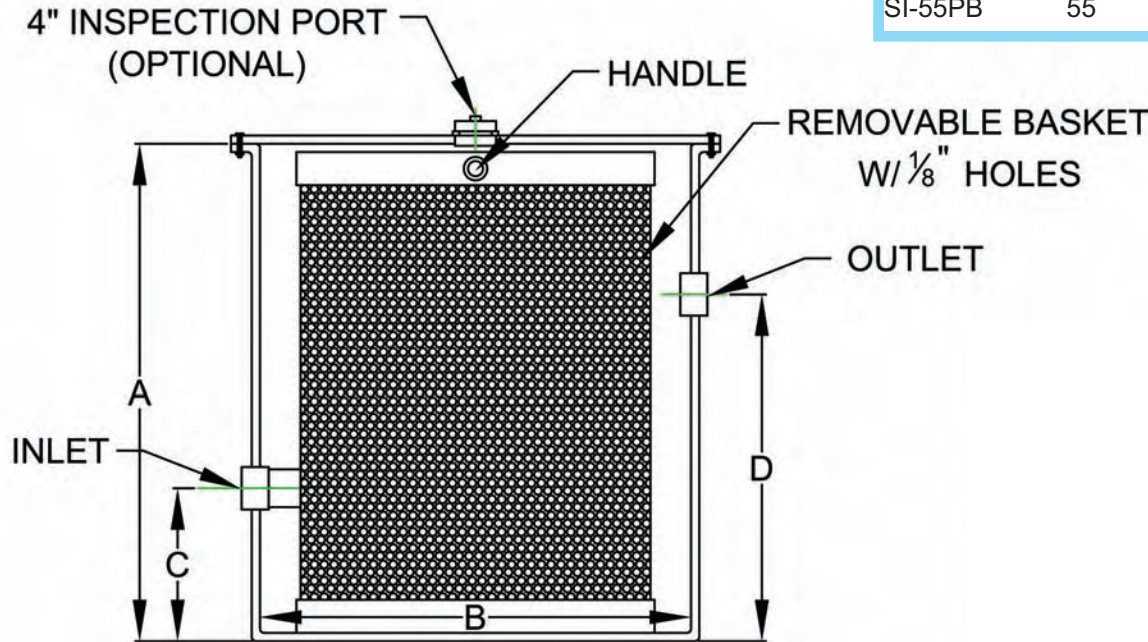
Company: \_\_\_\_\_

Date: \_\_\_\_\_

P.O.No. \_\_\_\_\_  
 No. of Tanks \_\_\_\_\_  
 Tank Size \_\_\_\_\_ Gallons

Tanks are of seamless construction manufactured from rotationally molded virgin polyethylene / polypropylene resin.

Model	Tank Size (GAL)	STD Inlet & Outlet	STD Vent Size	A Tank Height	B Inside Dia.	C Inlet	D Outlet
SI-5PB	5	2	2	16	11	6	11
SI-15PB	15	3	2	15	17	6	11
SI-55PB	55	3	2	44	23	8	24



Not For Use With Limestone  
 For Larger Tank Sizes Please Consult Factory  
 Tank Sizes & Dimensions Can Vary ± 1"

### Standard Connections

	I	O	V
Plain End	<input type="checkbox"/>	<input type="checkbox"/>	<input type="checkbox"/>
Female	<input type="checkbox"/>	<input type="checkbox"/>	<input type="checkbox"/>
Male	<input type="checkbox"/>	<input type="checkbox"/>	<input type="checkbox"/>
Flanged	<input type="checkbox"/>	<input type="checkbox"/>	<input type="checkbox"/>

### Connection Size

Inlet \_\_\_\_\_  
 Outlet \_\_\_\_\_  
 Vent \_\_\_\_\_

### Vent Location

TOP |  SIDE

Tank Data Sheet — Must accompany all tank orders

### Indicate Dimensions Needed

A	B	C	D	E
				X

**Job Name:** \_\_\_\_\_

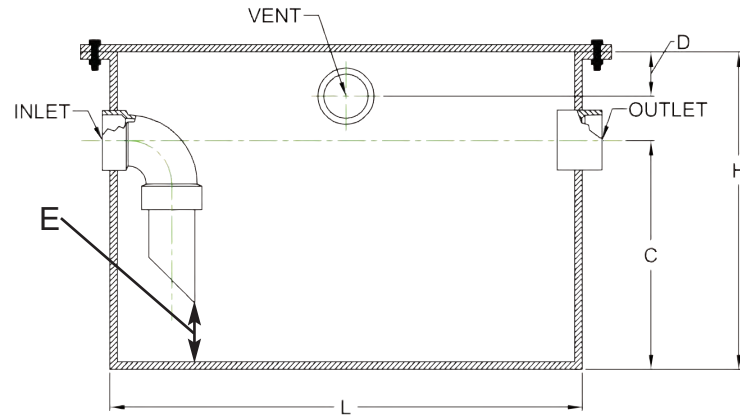
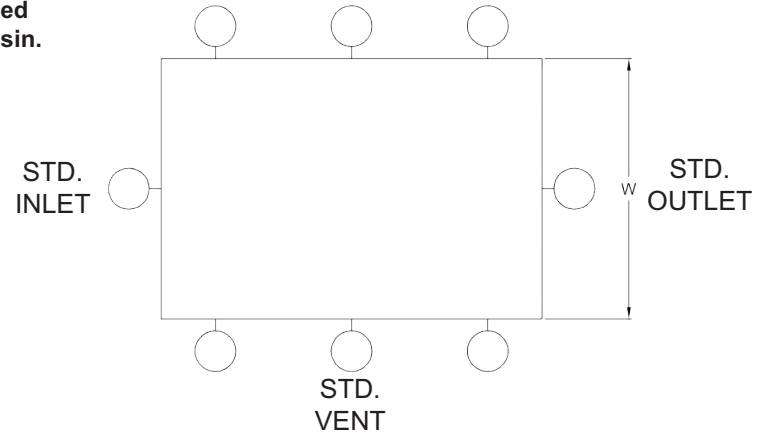
Company: \_\_\_\_\_

Date: \_\_\_\_\_

P.O.No. \_\_\_\_\_  
 No. of Tanks \_\_\_\_\_  
 Tank Size \_\_\_\_\_ Gallons

Tanks are of seamless construction  
 manufactured from rotationally molded  
 virgin polyethylene / polypropylene resin.

Part #	Size	L	W	H	C	D	E
ORT0001	1 Gal.	6"	12"	6"	3"	1.5"	2"
ORT0002	2 Gal.	8"	8"	8"	5"	1.5"	2"
ORT0005	5 Gal.	10"	16"	8"	5"	1.5"	2"
ORT0015	15 Gal.	12"	24"	12"	7"	2"	4"
ORT0030	30 Gal.	12"	24"	24"	18"	2"	4"
ORT0055	55 Gal.	24"	30"	18"	12"	2"	4"
ORT0115	115 Gal.	30"	30"	30"	24"	2"	4"
ORT0150	150 Gal.	24"	48"	30"	24"	2"	4"
ORT0215	215 Gal.	36"	36"	42"	36"	2"	4"
ORT0265	265 Gal.	36"	72"	24"	18"	2"	4"
ORT0400	400 Gal.	36"	72"	36"	30"	2"	4"
ORT0540	540 Gal.	36"	72"	48"	42"	2"	4"
ORT0670	670 Gal.	36"	72"	60"	54"	2"	4"



### Material:

- Polyethylene
- Polypropylene
- Polyethylene w/ FRP Wrap
- Polypropylene w/ FRP Wrap

### Lid:

- Non- Load Bearing:*
- Bolted
  - Welded
- Load Bearing:*
- Light Traffic
  - Medium Traffic

### Access Port:

- 6" Cleanout
- Gamma Top
- Gamma Top Plus

### Standard Connections

	I	O	V
Plain End	<input type="checkbox"/>	<input type="checkbox"/>	<input type="checkbox"/>
Female	<input type="checkbox"/>	<input type="checkbox"/>	<input type="checkbox"/>
Male	<input type="checkbox"/>	<input type="checkbox"/>	<input type="checkbox"/>
Flanged	<input type="checkbox"/>	<input type="checkbox"/>	<input type="checkbox"/>

### Connection Size

Inlet \_\_\_\_\_

Outlet \_\_\_\_\_

Vent \_\_\_\_\_

### Vent Location

- TOP
- SIDE

Tank Data Sheet — Must accompany all tank orders

### Indicate Dimensions Needed

L	W	H	C	D	E

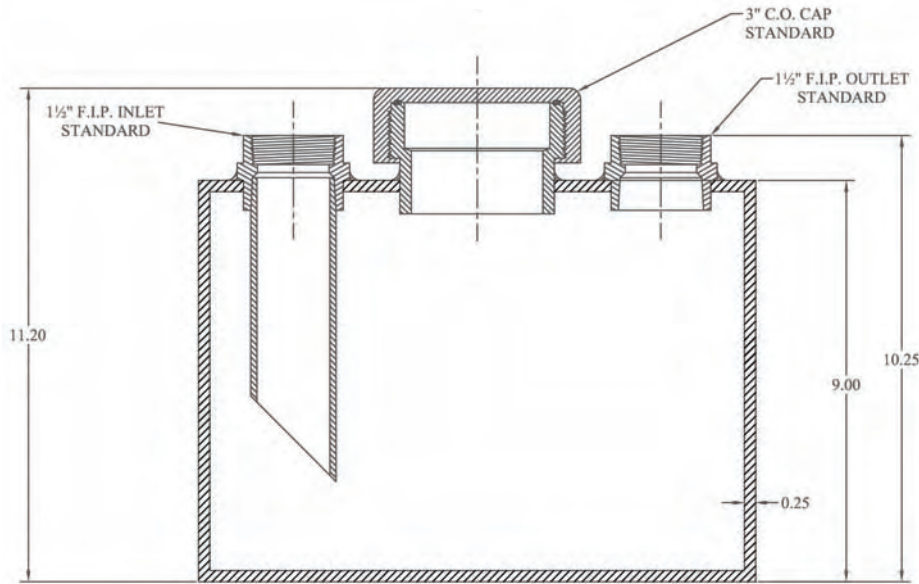
### Job Name:

Company: \_\_\_\_\_

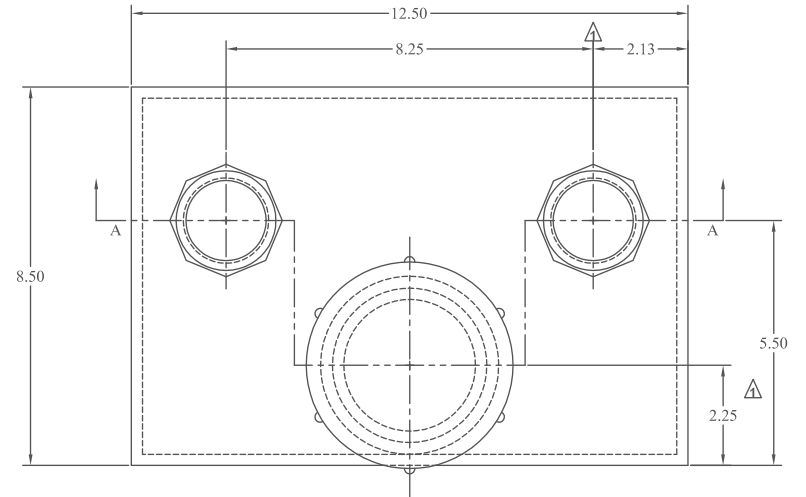
Date: \_\_\_\_\_

P.O.No. \_\_\_\_\_  
 No. of Tanks \_\_\_\_\_  
 Tank Size \_\_\_\_\_ 1½ - Gallons

Tanks are of seamless construction  
 manufactured from rotationally molded  
 virgin polyethylene / polypropylene resin.



SECTION A-A



**Standard Connections**

Female  I  O

**Connection Size**

Inlet  1½"  2"

Outlet  1½"  2"

**Outlet Location**

TOP  SIDE

Tank Data Sheet — Must accompany all tank orders

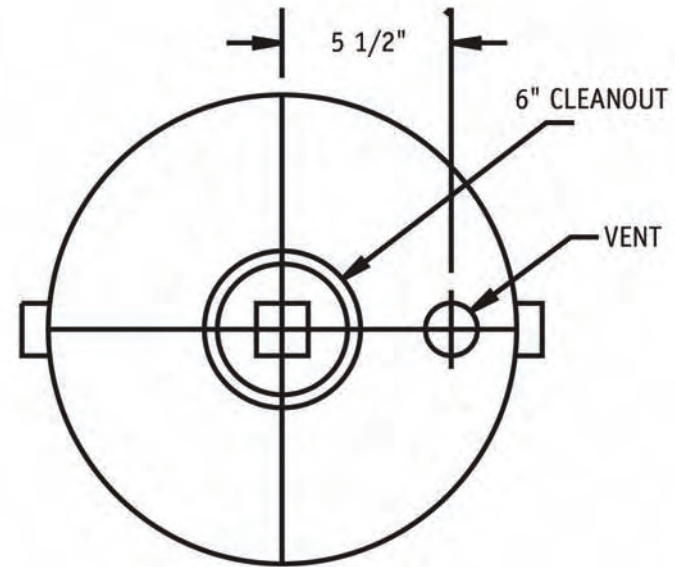
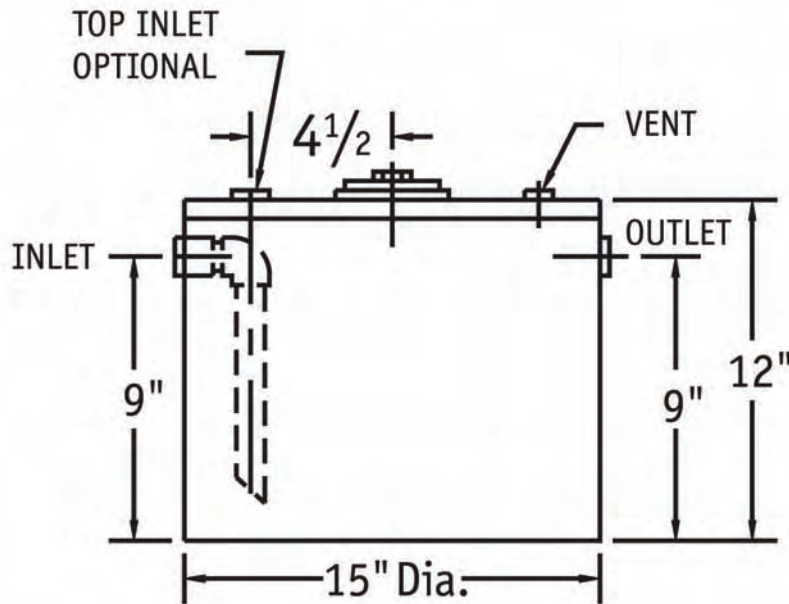
**Job Name:** \_\_\_\_\_

Company: \_\_\_\_\_

Date: \_\_\_\_\_

P.O.No. \_\_\_\_\_  
 No. of Tanks \_\_\_\_\_  
 Tank Size \_\_\_\_\_ 5 - Gallons

Tanks are of seamless construction  
 manufactured from rotationally molded  
 virgin polyethylene / polypropylene resin.



### Connection Size

- Inlet  1 1/2"  2"  
 Outlet  1 1/2"  2"  
 Vent  1 1/2"  2"

### Standard Connections

Female  I  O

### Inlet Location

- TOP  SIDE

Tank Data Sheet — Must  
 accompany all tank orders

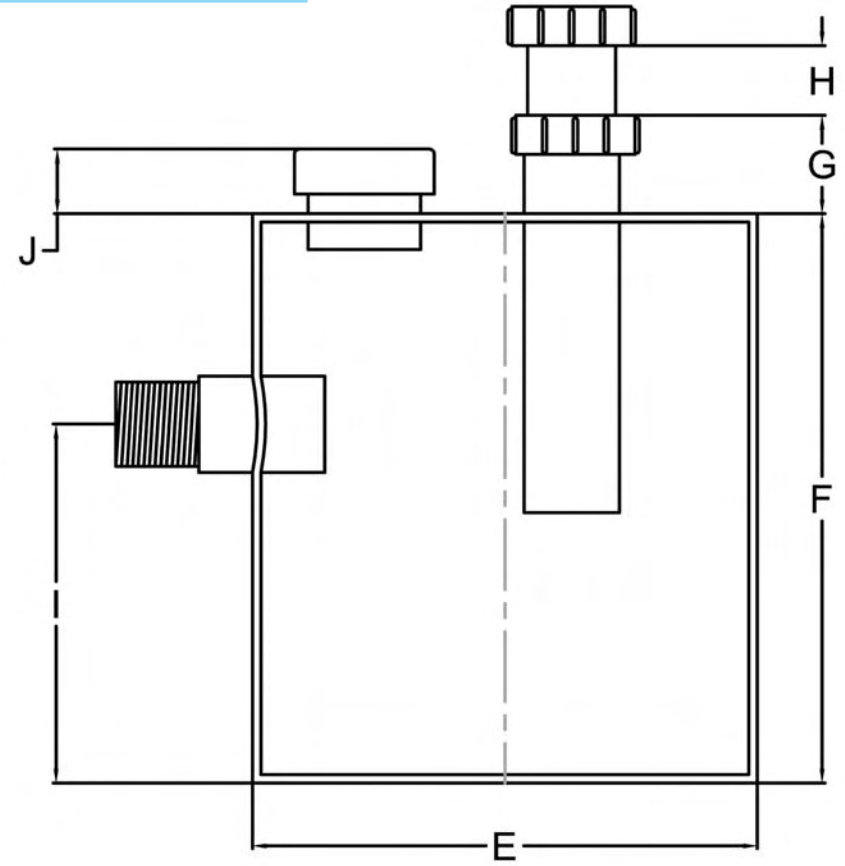
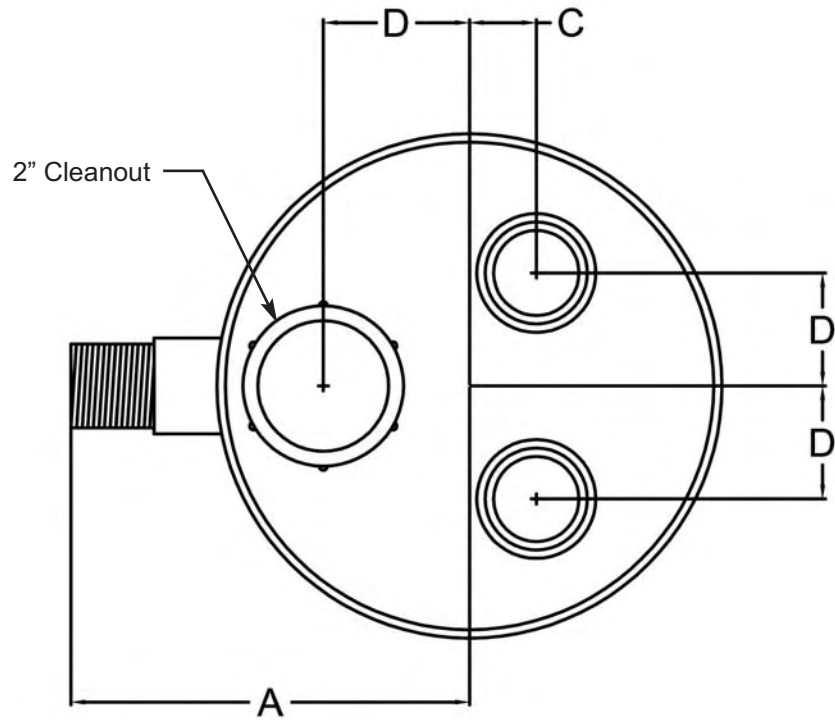
**Job Name:** \_\_\_\_\_

Company: \_\_\_\_\_

Date: \_\_\_\_\_

P.O.No. \_\_\_\_\_  
 No. of Tanks \_\_\_\_\_  
 Tank Size \_\_\_\_\_ 1½ - Gallons

A	B	C	D	E	F	G	H	I	J
7.31"	2.50"	1.19"	2.06"	9.00"	10.16"	1.91"	0" - 10"	6.78"	1.64"
7.31"	2.50"	1.19"	2.06"	9.00"	10.16"	1.91"	0" - 10"	6.78"	1.64"



### Connection Size

- Inlet  1½"  2"  
 Qty. of Inlets  1  2  
 Outlet  2"  
 Qty. of Outlets  1  2

### Tank Color

- Black  White

### Standard Connections

I / O

- Female   
 Male

Tank Data Sheet — Must accompany all tank orders

Tanks are of seamless construction manufactured from rotationally molded virgin polyethylene / polypropylene resin.

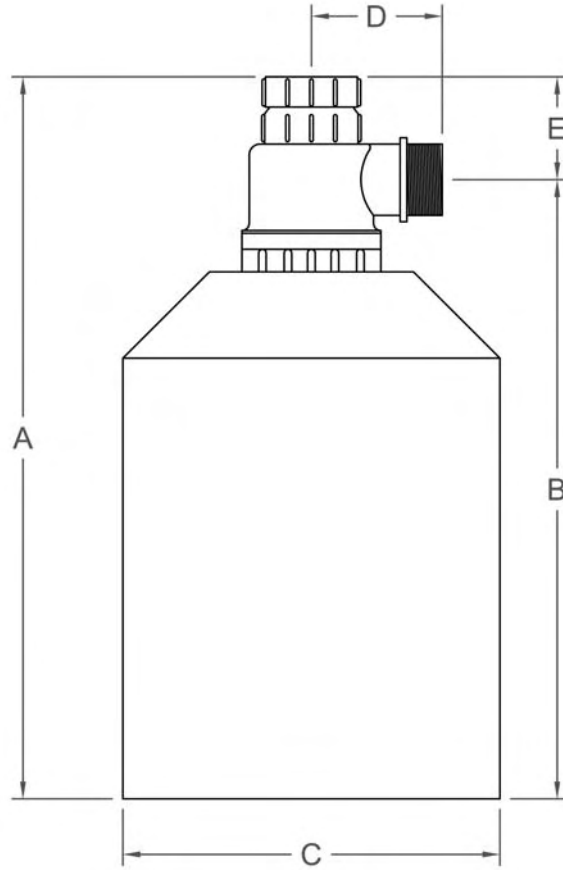
**Job Name:** \_\_\_\_\_

Company: \_\_\_\_\_

Date: \_\_\_\_\_

P.O.No. \_\_\_\_\_  
 No. of Tanks \_\_\_\_\_  
 Tank Gallons     1½     2     5

Gallons	A In.	B In.	C In.	D In.	E Max.	E Min.
1	11.75"	9"	7.50"	2.88"	2.50"	7.50"
2	17.00"	14.25"	7.50"	2.88"	3.50"	13.50"
5	19.50"	17.00"	11.50"	2.88"	3.50"	13.50"



### Standard Connections

	I	O
Female	<input checked="" type="checkbox"/>	<input type="checkbox"/>
Male	<input type="checkbox"/>	<input checked="" type="checkbox"/>

### Connection Size

Inlet	<input checked="" type="checkbox"/> 1½"
Outlet	<input checked="" type="checkbox"/> 1½"

Tank Data Sheet — Must accompany all tank orders

Tanks are of seamless construction manufactured from rotationally molded virgin polyethylene / polypropylene resin.

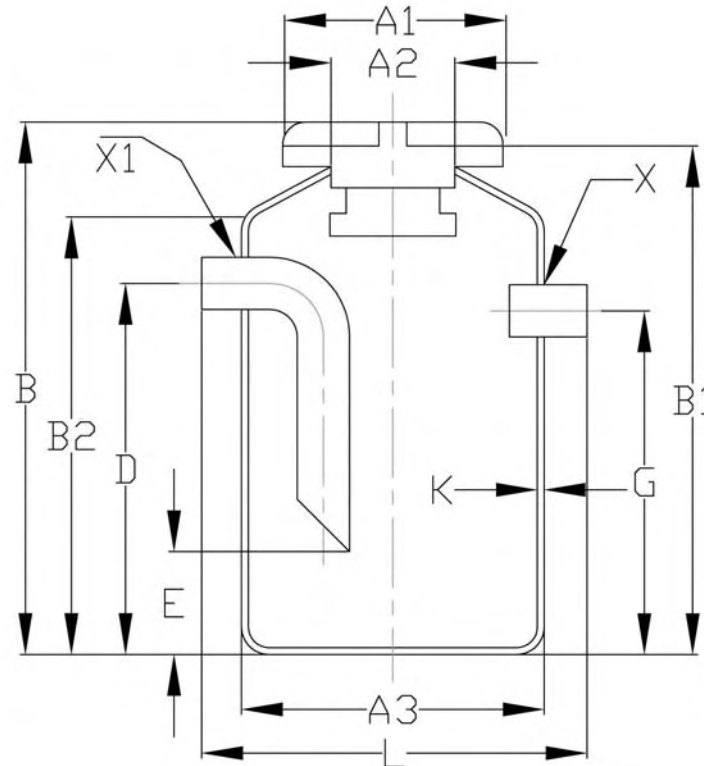
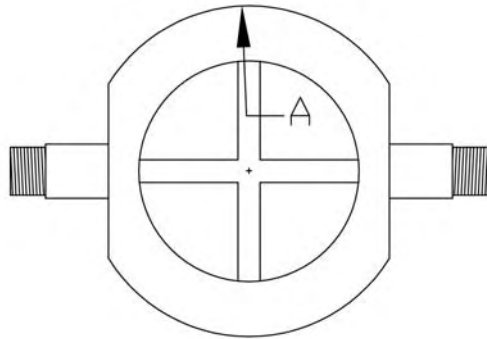
**Job Name:** \_\_\_\_\_

Company: \_\_\_\_\_

Date: \_\_\_\_\_

P.O.No. \_\_\_\_\_  
 No. of Tanks \_\_\_\_\_  
 Tank Size \_\_\_\_\_ 6 - Gallons

A	A1	A2	A3	B	B1	B2	D	E	G	L	K
12"	8"	5.5"	11"	18.5"	17.75"	16"	13.5"	2"	12.5"	16"	.25"
12"	8"	5.5"	11"	18.5"	17.75"	16"	13.5"	2"	12.5"	16"	.25"



### Connection Size

### Standard Connections

Male  I  O

Inlet  1½"  2"  
 Outlet  1½"  2"

Tank Data Sheet — Must accompany all tank orders

Tanks are of seamless construction manufactured from rotationally molded virgin polyethylene / polypropylene resin.

**Job Name:** \_\_\_\_\_

Company: \_\_\_\_\_

Date: \_\_\_\_\_

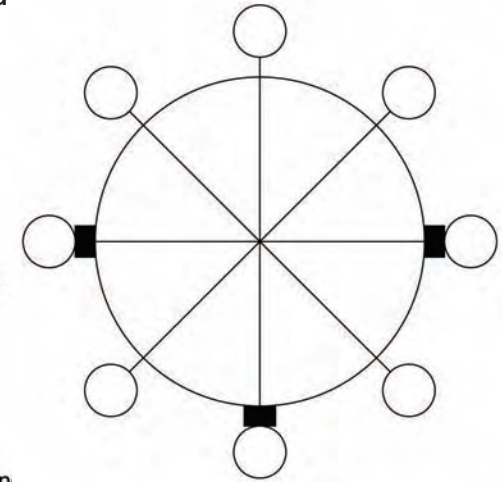
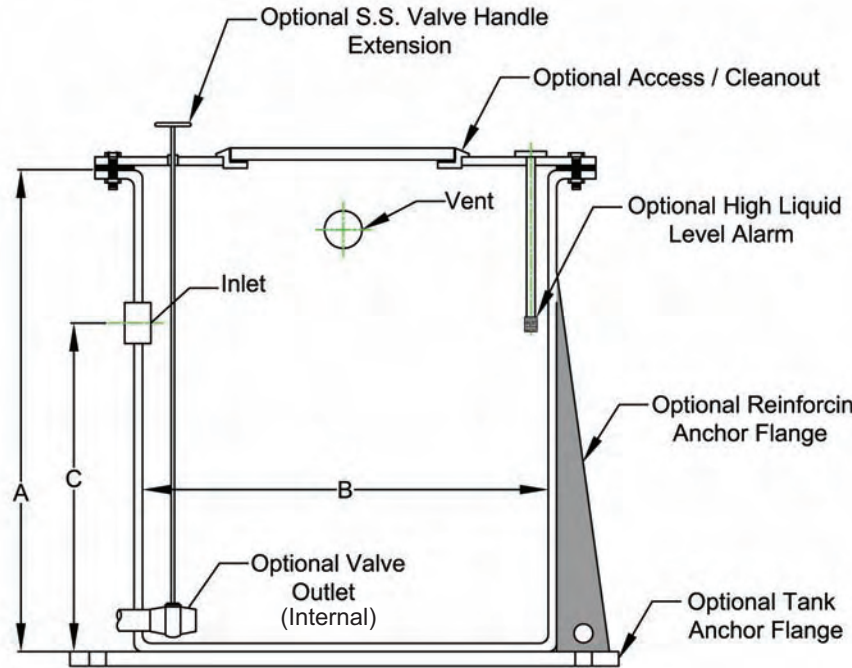
P.O.No. \_\_\_\_\_

No. of Tanks \_\_\_\_\_

**Tank Sizes:**

- 150-Gallon       200-Gallon
- 275-Gallon       360-Gallon
- 500-Gallon       600-Gallon
- 1200-Gallon

Tanks are of seamless construction manufactured from rotationally molded virgin polyethylene / polypropylene resin.



**Top Options:**

Welded Top

Bolted Top

**Additional Options:**

FRP (Fiberglass Wrap)

Ball Valve (Outlet)

Internal

External

S.S. Ball Valve (Internal) Handle Extension

High Liquid Level Alarm

Tank Anchor Flange

Reinforcing Anchor Flange (RAF)

**Optional Cover Size (Welded Top)**

1/2" Thick Plastic Top

3/4" Thick Plastic Top

**Optional Access Port Size**

**Cleanouts**

3"     4"     6"

**Gamma Tops**

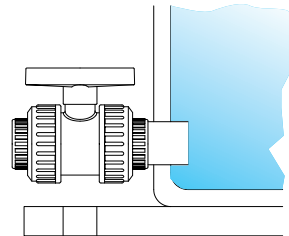
12" Gamma Top

16" Gamma Plus

**Manways**

20" x 1/2"     20" x 3/4"

24" x 1/2"     24" x 3/4"



Optional Valve Outlet (External)

**Standard Connections**

I / O / V

Plain End

Female

Male

Flanged

**Connection Size**

Inlet \_\_\_\_\_

Outlet \_\_\_\_\_

Vent \_\_\_\_\_

**Vent Location**

TOP     SIDE

Tank Data Sheet — Must accompany all tank orders

**Indicate Dimensions Needed**

**A                      B                      C**

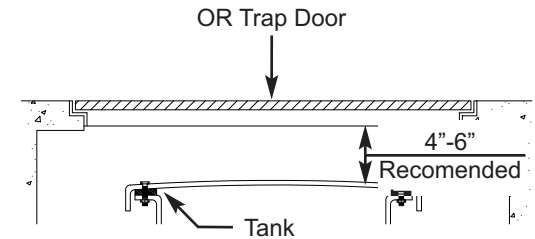
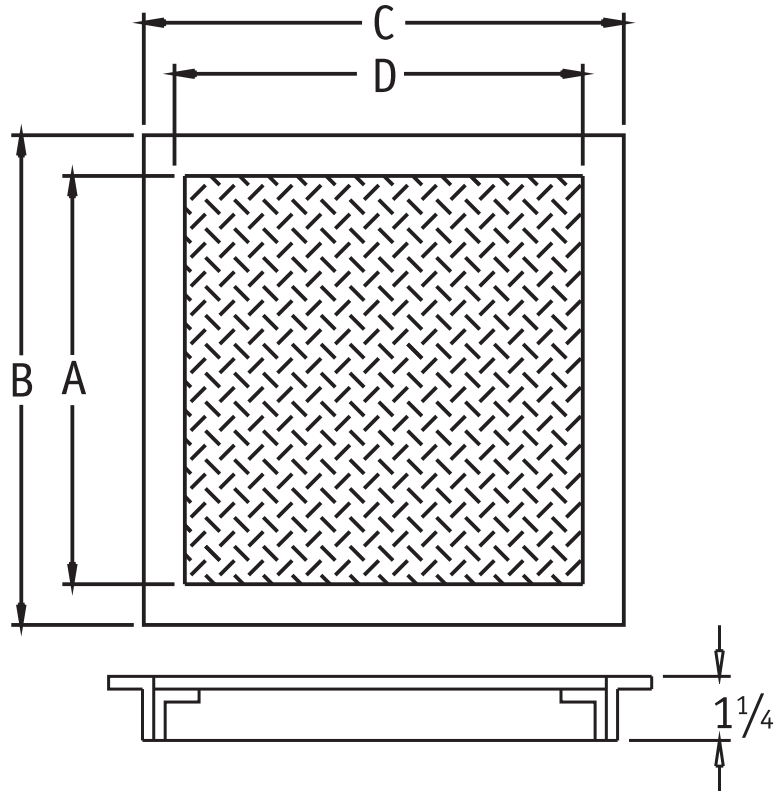
--	--	--

**Job Name:** \_\_\_\_\_

Company: \_\_\_\_\_

Date: \_\_\_\_\_

P.O.No. \_\_\_\_\_  
 No. of Doors \_\_\_\_\_  
 Door Model \_\_\_\_\_



### Trap Door -- 150 psf (Loose Cover)

- Color: Primer
- Material: Carbon Steel
- Angle Steel Frame
- 1/4" Diamond Pattern
- Flush Mounting
- One Inch Finger Hole
- Three Standard Sizes
- Larger Sizes Custom Made
- For Light Traffic Areas

Model	Dimensions (inches)				Wgt. Lbs.
	A	B	C	D	
OR-24	24	26½	26½	24	32
OR-36	36	38½	38½	36	57
OR-48	48	50½	50½	48	88

**Add tank flange dimension of approximately 5" when sizing trap door. To determine actual opening through frame, subtract 2" from dimensions A & C.**

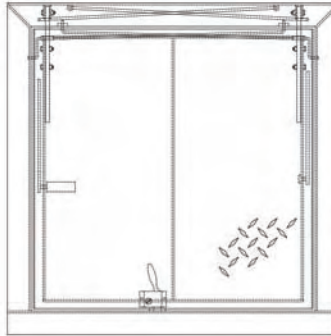
### Job Name:

Company: \_\_\_\_\_

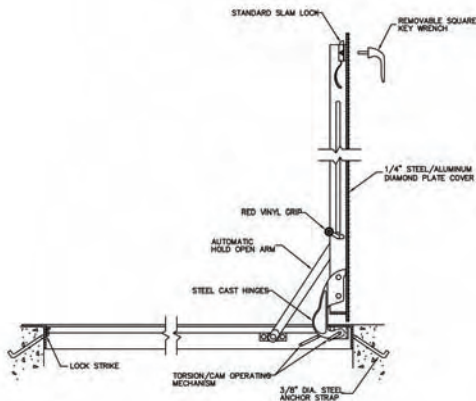
Date: \_\_\_\_\_

P.O.No. \_\_\_\_\_  
 No. of Doors \_\_\_\_\_  
 Door Type \_\_\_\_\_

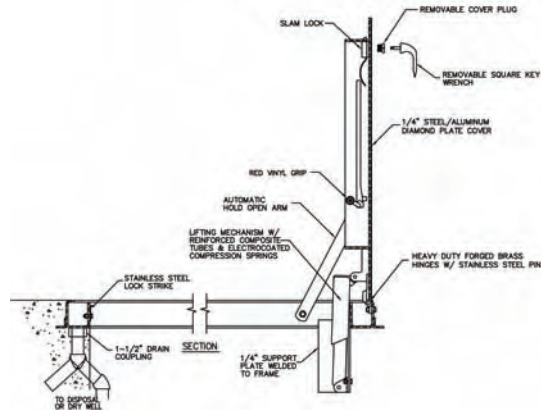
### Typical Top View



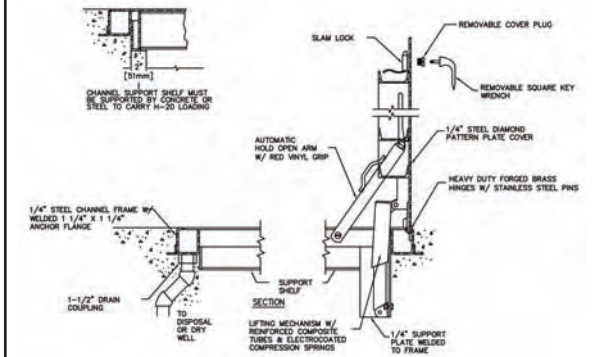
### Type K / Q 150 PSF Hinged Cover



### Type J 300 PSF Hinged Cover



### Type JH20 H20 Wheel Loading



Model	Steel	Dimensions
J1H20		24"X24"
J4H20		36"X36"
JD2H20		48"X48"
JD4H20		60"X60"

"D" represents a double door version

Model	Model	Dimensions
AL	Steel	
K1	Q1	24"X24"
K4	Q4	36"X36"
KD2	QD2	48"X48"
KD4	N/A	60"X60"

"D" represents a double door version

Model	Model	Dimensions
AL	Steel	
J1AL	J1	24"X24"
J4AL	J4	36"X36"
JD2AL	JD2	48"X48"
JD4AL	JD4	60"X60"

"D" represents a double door version

**Job Name:** \_\_\_\_\_

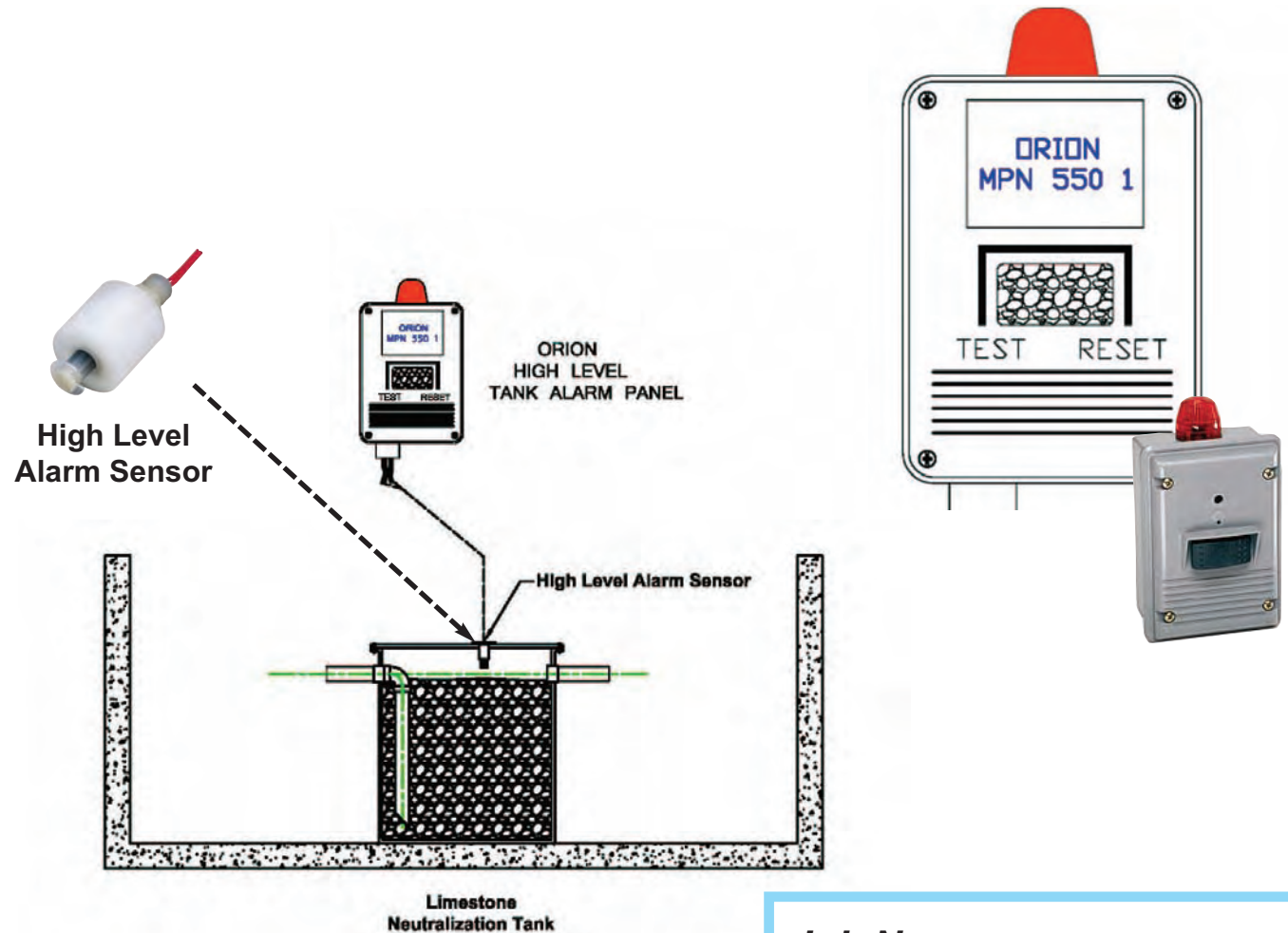
**Company:** \_\_\_\_\_

**Date:** \_\_\_\_\_

P.O.No. \_\_\_\_\_  
No. of Units \_\_\_\_\_

### Features:

- **Automatic** alarm reset, horn silence switch and alarm test switch
- **Voltage:** 120 VAC; 7W max
- **Indicator:** Flashing light meets type 3R standards; 3 watt max
- **Audible alarm:** 82 dB @ 10ft, meets type 3R water tight standards
- **Enclosure:** Nema 4x indoor/outdoor; uv stabilized, weatherproof, thermo-plastic 6.25”h x 4.5”w x 3.0”d
- **Test/silence switch.** certified to IP66 and IP68 standards
- **UL / CUL LISTED**
- **Float sensor:** normally open; LFP-VE-P2 solid polypropylene 0.71” diameter exposed float, 194F operating temperature, 0.5A
- **6Ft power cord**



**Job Name:** \_\_\_\_\_

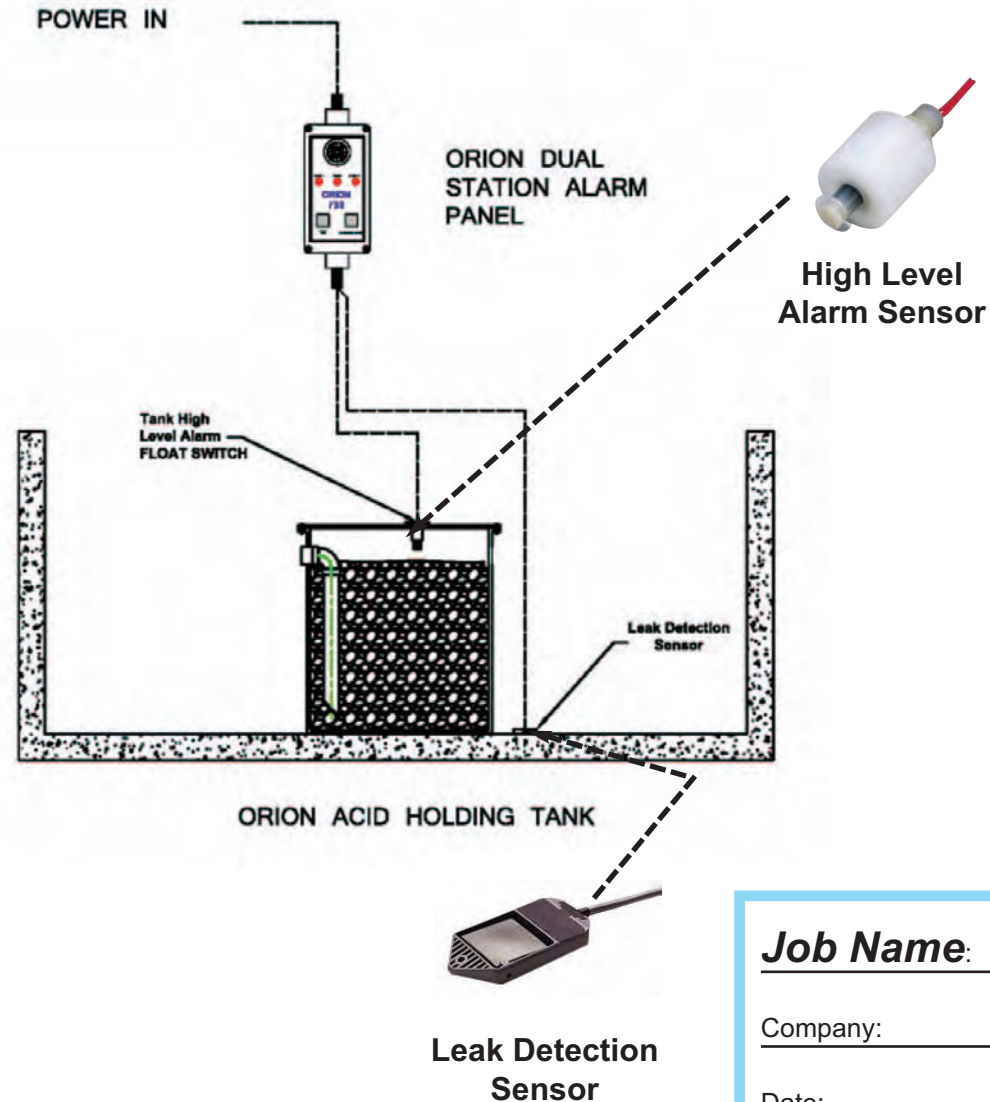
**Company:** \_\_\_\_\_

**Date:** \_\_\_\_\_

P.O.No. \_\_\_\_\_  
No. of Units \_\_\_\_\_

### Features:

- **Supply Voltage:** 120 VAC +10%, -15%, 6.6 VA max
- **Indicators:** 3 solid state LED's
- **Audible alarm:** Field adjustable from 77 to 97 dB @ 2ft by rotating shutter
- **Enclosure:** Nema 3R polycarbonate; 6.25"H x 3.25"W x 3.5"D.
- **Sensor voltage / current:** 12VDC, .248 mA current.
- **Terminals:** size 6 panhead screws with captivated wire clamping plate
- **Operating Temperature:** -22F to 150F ambient
- **Sensitivity:** 0-26K ohm max specific resistance
- **UL LISTED**
- **Conduit connection:** Sensor - 3/4" NPT, PVC; Power - 1/2" NPT metal.
- **Float sensor:** normally open; LS3 solid polypropylene 1" diameter exposed float with 1/8" NPT connection
- **Flat leak detection sensor, LS10; HDPE**



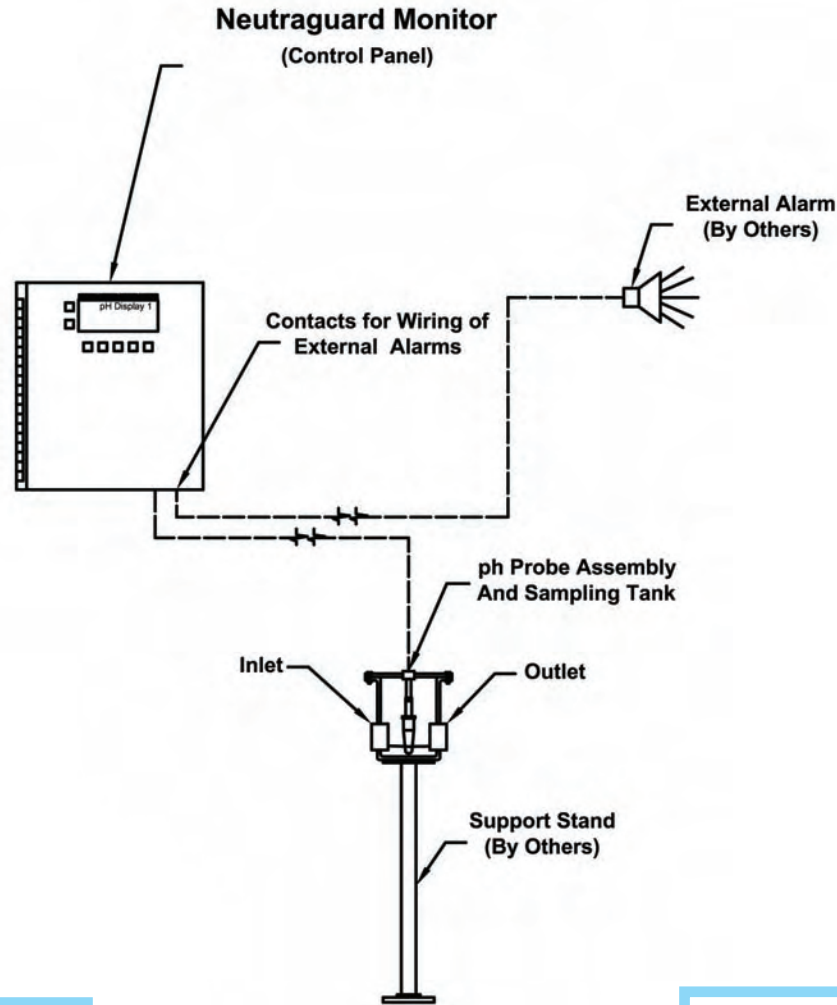
**Job Name:** \_\_\_\_\_

**Company:** \_\_\_\_\_

**Date:** \_\_\_\_\_

P.O.No. \_\_\_\_\_  
 No. of Unit \_\_\_\_\_  
 Sample Tank Size \_\_\_\_\_ 5 - Gallons

Tanks are of seamless construction  
 manufactured from rotationally molded  
 virgin polyethylene / polypropylene resin.



### Standard Connections

	I	O
Plain End	<input type="checkbox"/>	<input type="checkbox"/>
Female	<input type="checkbox"/>	<input type="checkbox"/>
Male	<input type="checkbox"/>	<input type="checkbox"/>
Flanged	<input type="checkbox"/>	<input type="checkbox"/>

### Connection Size

Inlet \_\_\_\_\_  
 Outlet \_\_\_\_\_

Tank Data Sheet — Must  
 accompany all tank orders

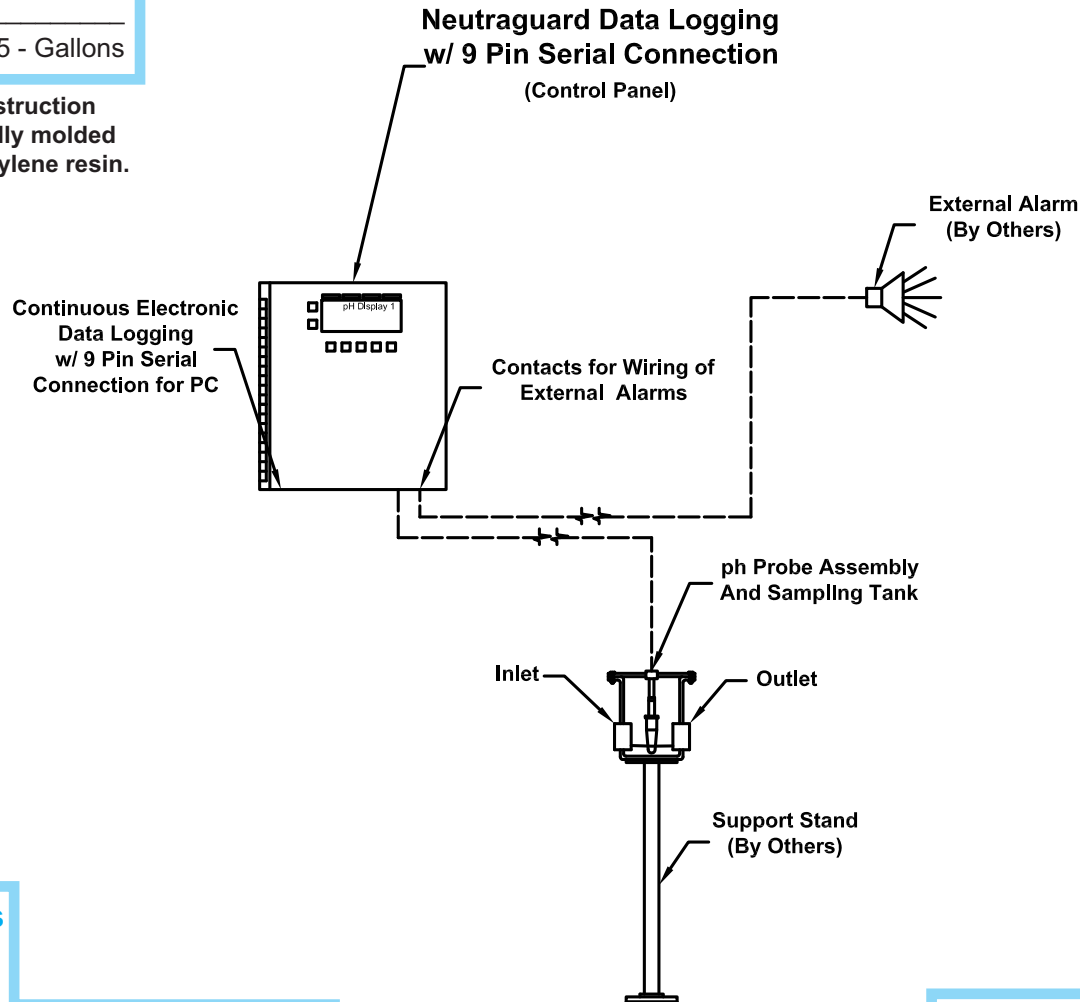
**Job Name:** \_\_\_\_\_

Company: \_\_\_\_\_

Date: \_\_\_\_\_

P.O.No. \_\_\_\_\_  
 No. of Unit \_\_\_\_\_  
 Sample Tank Size \_\_\_\_\_ 5 - Gallons

Tanks are of seamless construction  
 manufactured from rotationally molded  
 virgin polyethylene / polypropylene resin.



### Standard Connections

	I	O
Plain End	<input type="checkbox"/>	<input type="checkbox"/>
Female	<input type="checkbox"/>	<input type="checkbox"/>
Male	<input type="checkbox"/>	<input type="checkbox"/>
Flanged	<input type="checkbox"/>	<input type="checkbox"/>

### Connection Size

Inlet \_\_\_\_\_  
 Outlet \_\_\_\_\_

Tank Data Sheet — Must  
 accompany all tank orders

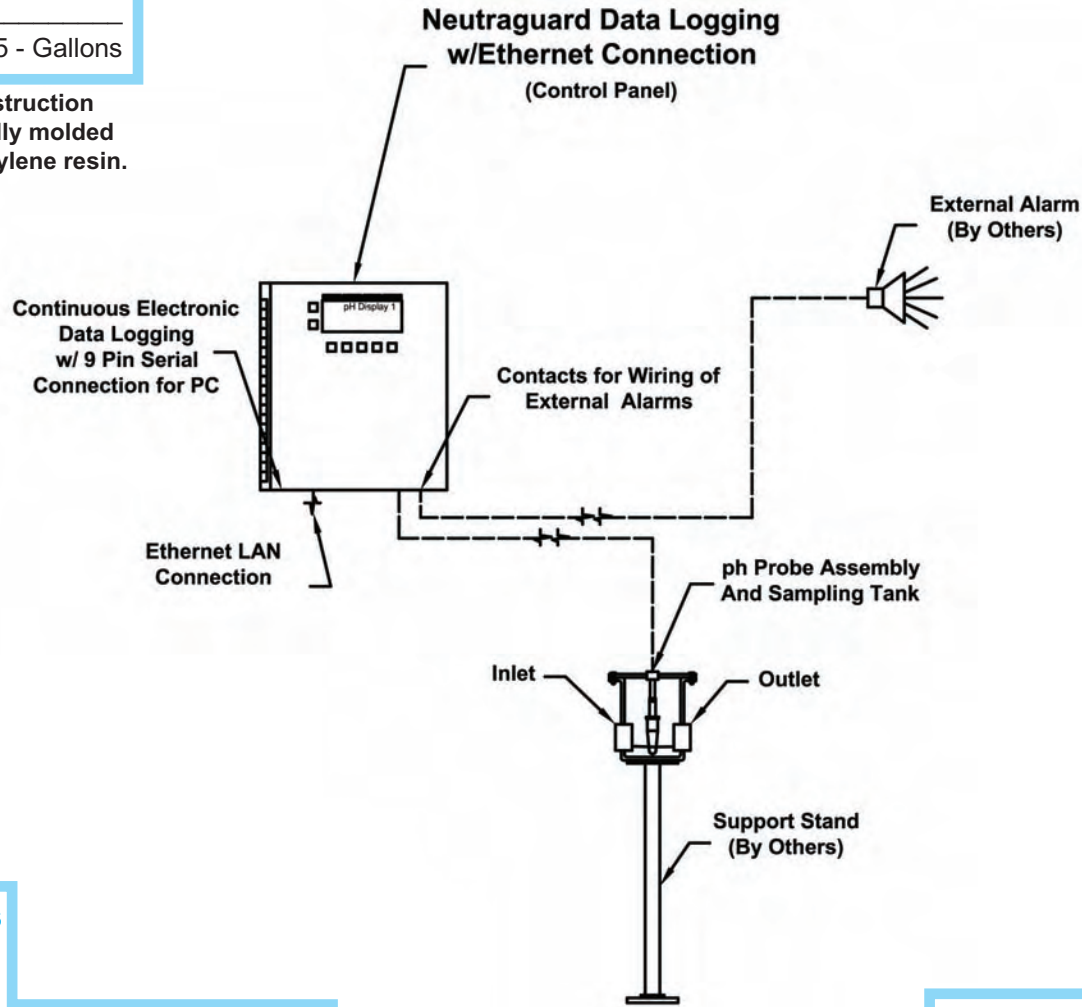
**Job Name:** \_\_\_\_\_

**Company:** \_\_\_\_\_

**Date:** \_\_\_\_\_

P.O.No. \_\_\_\_\_  
 No. of Unit \_\_\_\_\_  
 Sample Tank Size \_\_\_\_\_ 5 - Gallons

Tanks are of seamless construction  
 manufactured from rotationally molded  
 virgin polyethylene / polypropylene resin.



### Standard Connections

	I	O
Plain End	<input type="checkbox"/>	<input type="checkbox"/>
Female	<input type="checkbox"/>	<input type="checkbox"/>
Male	<input type="checkbox"/>	<input type="checkbox"/>
Flanged	<input type="checkbox"/>	<input type="checkbox"/>

### Connection Size

Inlet \_\_\_\_\_  
 Outlet \_\_\_\_\_

Tank Data Sheet — Must  
 accompany all tank orders

**Job Name:** \_\_\_\_\_

Company: \_\_\_\_\_

Date: \_\_\_\_\_

P.O.No. \_\_\_\_\_  
 No. of Unti \_\_\_\_\_  
 Sample Tank Size \_\_\_\_\_ 5 - Gallons

Tanks are of seamless construction  
 manufactured from rotationally molded  
 virgin polyethylene / polypropylene resin.

### Mixing Tank Size:

Gallons: \_\_\_\_\_

### Pipe Connections:

I / O / Size

- |         |                          |                          |       |
|---------|--------------------------|--------------------------|-------|
| Plain   | <input type="checkbox"/> | <input type="checkbox"/> | _____ |
| Female  | <input type="checkbox"/> | <input type="checkbox"/> | _____ |
| Male    | <input type="checkbox"/> | <input type="checkbox"/> | _____ |
| Flanged | <input type="checkbox"/> | <input type="checkbox"/> | _____ |

### Dosing Tanks:

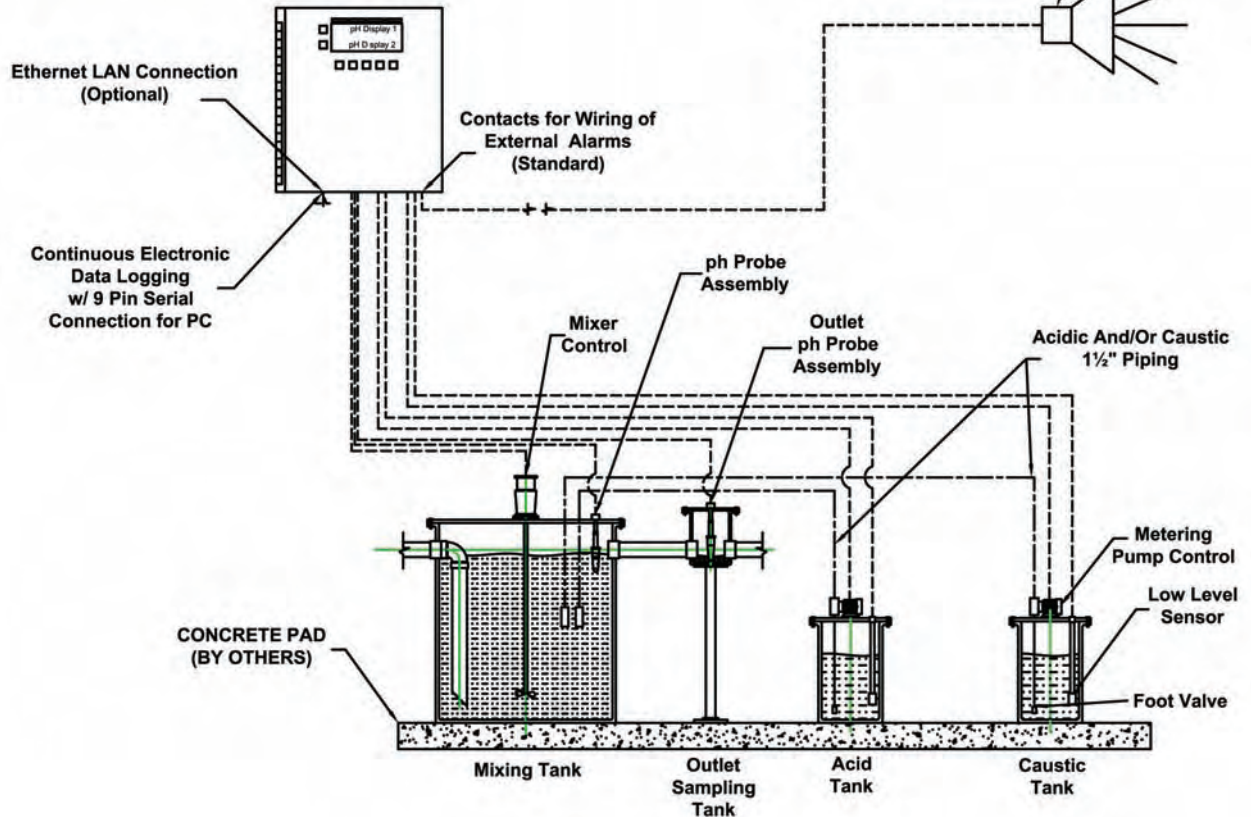
- |                                  |        |                          |        |                          |
|----------------------------------|--------|--------------------------|--------|--------------------------|
| <input type="checkbox"/> Acid    | 30-Gal | <input type="checkbox"/> | 55-Gal | <input type="checkbox"/> |
| <input type="checkbox"/> Caustic | 30-Gal | <input type="checkbox"/> | 55-Gal | <input type="checkbox"/> |

### Optional Extras:

64mb Expanded Memory

### Data Retrieval:

- 9-Pin Serial Port   
 Ethernet Port



Tank Data Sheet — Must  
 accompany all tank orders

**Job Name:** \_\_\_\_\_

**Company:** \_\_\_\_\_

**Date:** \_\_\_\_\_