

Floor Drain

Complete with Grate and Plug

Dimensions

Floor Drain AWFDSTD

Accessories Available

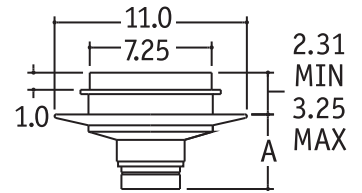
- Sediment Bucket
- Flashing Clamp
- 1/2" Trap Primer
- Solid Cover
- Funnel
- Vandal Proofing

Recommended Specification: ORION AWFDSTD Corrosion Resistant Floor Drain manufactured from fire retardant polypropylene material conforming to ASTM D4101. Grate, plug, and covers are to be made from fiber-filled polypropylene for strength and durability.

Recommended Specification: ORION AWFDSTD Corrosion Resistant Floor Drain manufactured from PVDF material conforming to ASTM D3222. Grate, plug, and covers are to be made from fiber-filled PVDF for strength and durability.

Note:

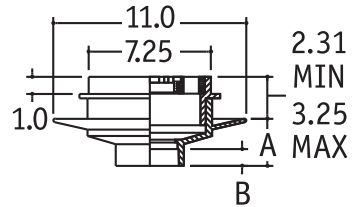
Funnel replaces plug in AWFDSTD grate.



AWFDSTD

No-Hub/Plain End

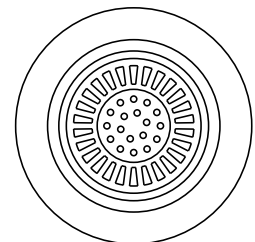
Size:	A	B	C	D	E	WEIGHT PP	WEIGHT PVDF
2	4.54					45.57	95.178
3	4.60					42.43	89.04
4	4.87					50.18	105.77
6	3.65					85.28	179.99



AWFDSTD

Socket Fusion

Size:	A	B	C	D	E	WEIGHT PP	WEIGHT PVDF
2	4.16	.88				46.50	94.66
3	2.94	1.13				43.30	90.77
4	2.94	1.36				44.10	91.84
6	3.50	1.98				80.26	165.44
2 FIP	5.12	.80				47.20	95.60
3 FIP	3.00	1.40				45.80	91.84
4 FIP	2.94	1.50				50.98	108.71
6 FIP	3.50	1.99				90.84	186.34



AWFDSTD

Top View

(Side Outlet) Complete with Grate and Plug

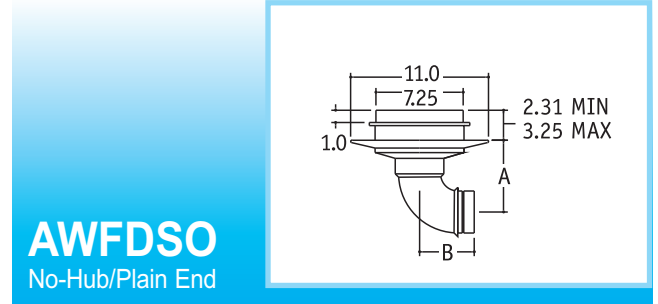
Floor Drain AWFDSO

Accessories Available

- Sediment Bucket
- Flashing Clamp
- 1/2" Trap Primer
- Solid Cover
- Funnel
- Vandal Proofing

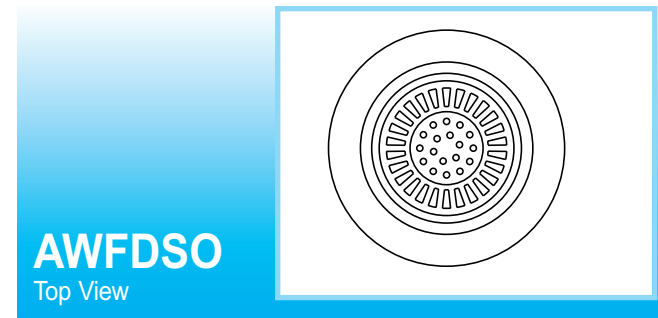
Recommended Specification: ORION AWFDSO Corrosion Resistant Floor Drain manufactured from Fire Retardant Polypropylene material conforming to ASTM D4101. Grate, plug, and covers are to be made from fiber-filled polypropylene for strength and durability.

Recommended Specification: ORION AWFDSO Corrosion Resistant Floor Drain manufactured from PVDF material conforming to ASTM D3222. Grate, plug, and covers are to be made from fiber-filled PVDF for strength and durability.



AWFDSO
No-Hub/Plain End

Size:	A	B	C	D	E	WEIGHT PP	WEIGHT PVDF
2	6.69	3.41				50.23	105.29
3	7.84	4.56				60.13	121.99
4	6.97	5.60				62.58	125.12



AWFDSO
Top View

Floor Drain & Trap

Dimensions

Complete with Grate and Plug

Floor Drain AWFDPT

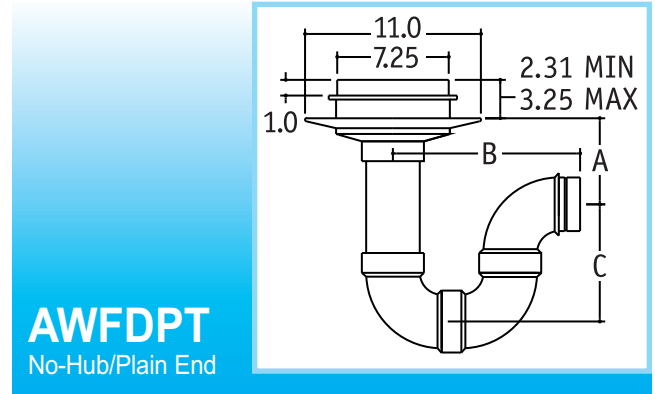
Floor Drain with Trap complete with grate and plug

Accessories Available

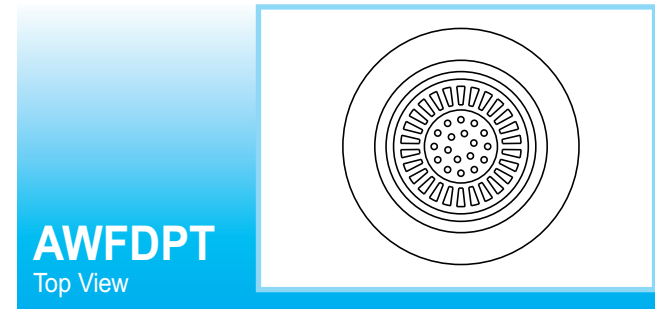
- Sediment Bucket
- Flashing Clamp
- 1/2" Trap Primer
- Solid Cover
- Funnel
- Vandal Proofing

Recommended Specification: ORION AWFDPT (integral trap) Corrosion Resistant Floor Drain manufactured from Fire Retardant Polypropylene material conforming to ASTM D4101. Grate, plug, and covers are to be made from fiber-filled polypropylene for strength and durability.

Recommended Specification: ORION AWFDPT (integral trap) Corrosion Resistant Floor Drain manufactured from PVDF material conforming to ASTM D3222. Grate, plug, and covers are to be made from fiber-filled PVDF for strength and durability.



Size:	A	B	C	D	E	WEIGHT PP	WEIGHT PVDF
2	5.87	9.33	5.92			58.26	118.22
3	6.57	12.31	7.71			85.59	175.32
4	6.04	15.24	9.64			102.69	205.77



Dimensions

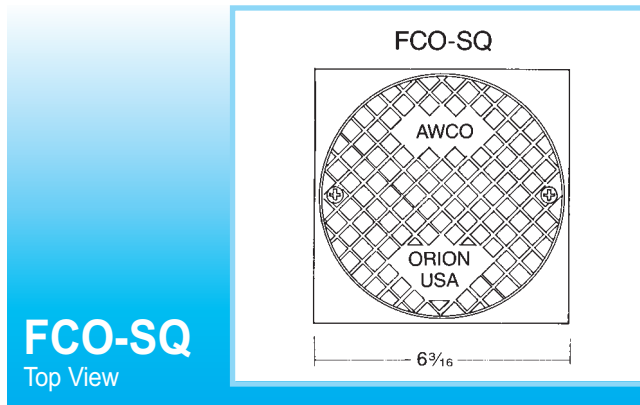
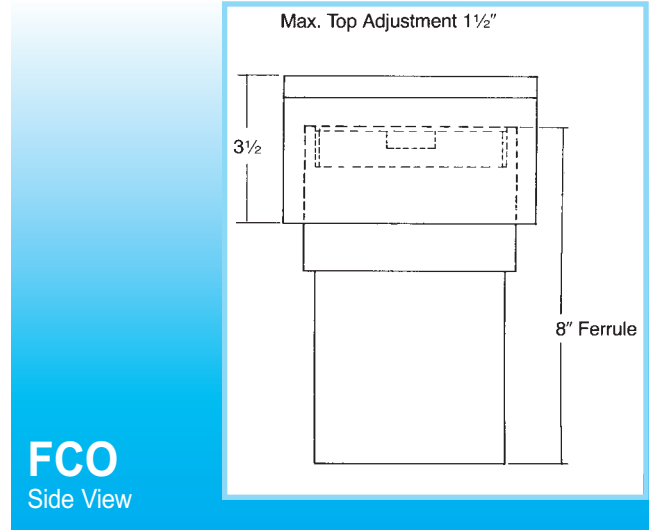
Floor Cleanout

Corrosion Resistant Finished Floor Cleanout

In applications where a cleanout is required in a finished floor, Orion offers either a nickel bronze or brushed bronze cover. The letters AWCO (Acid Waste Cleanout) are cast in the cover to help prevent confusion with a sanitary sewer cleanout if maintenance is required.

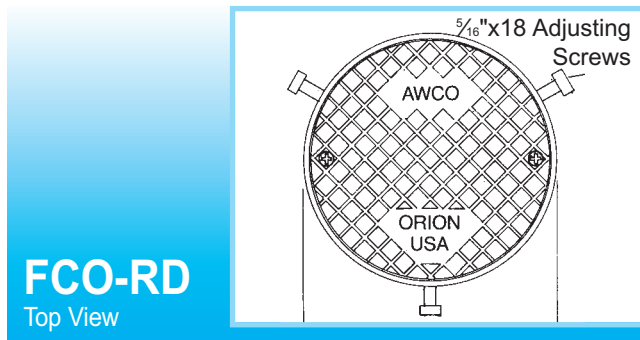
Both styles of covers are supplied with a ferrule with a countersunk plug and adjustable top to facilitate easy installation when the floor is poured.

Complete with Grate and Plug



Model & Size	Finish Available
3" FCO Square	Nickel Bronze; Brushed Bronze
4" FCO Square	Nickel Bronze; Brushed Bronze

Recommended Specification: ORION FCO corrosion resistant finished floor cleanout. Manufactured from fire retardant polypropylene material conforming to ASTM D 4101, ferrule supplied with countersunk plug and adjustable top with round (square) nickel bronze (brushed bronze) cover, with AWCO (Acid Waste Cleanout) cast in cover.



Model & Size	Finish Available	Material	Material
3" FCO Round	Nickel Bronze, Brushed Bronze	PP	PVDF
4" FCO Round	Nickel Bronze; Brushed Bronze	PP	PVDF

Recommended Specification: ORION FCO corrosion resistant finished floor cleanout. Manufactured from PVDF material conforming to ASTM D 3222, ferrule supplied with countersunk plug and adjustable top with round (square) nickel bronze (brushed bronze) cover, with AWCO (Acid Waste Cleanout) cast in cover.